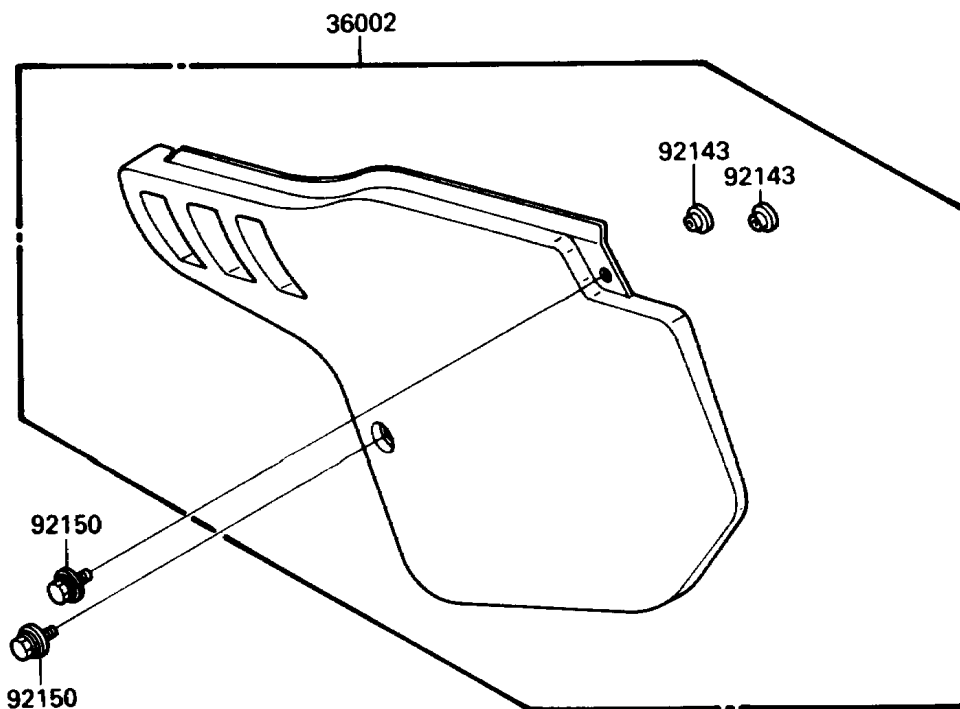
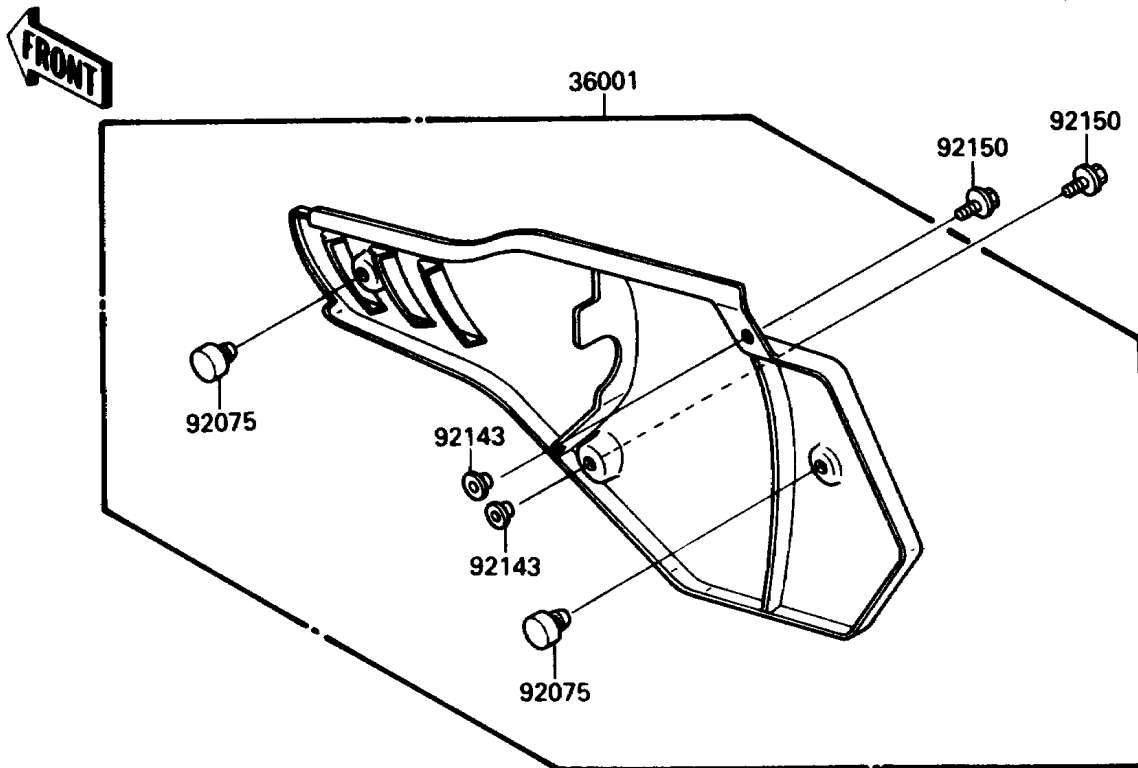


## 1988 KX™500 PARTS DIAGRAM

Side Covers

F2611-0019



## 1988 KX™500 PARTS LIST

Side Covers

| ITEM NAME                               | PART NUMBER   | QUANTITY |
|---|---------------|----------|
| COVER-SIDE,RH,GREEN/WHITE (Ref # 36001) | 36001-1376-AC | 1        |
| COVER-SIDE,LH,L.GREEN (Ref # 36002)     | 36002-5451-6W | 1        |
| DAMPER (Ref # 92075)                    | 92075-1598    | 1        |
| COLLAR (Ref # 92143)                    | 92143-1196    | 1        |
| BOLT,FLANGED,6X20 (Ref # 92150)         | 92150-1131    | 1        |