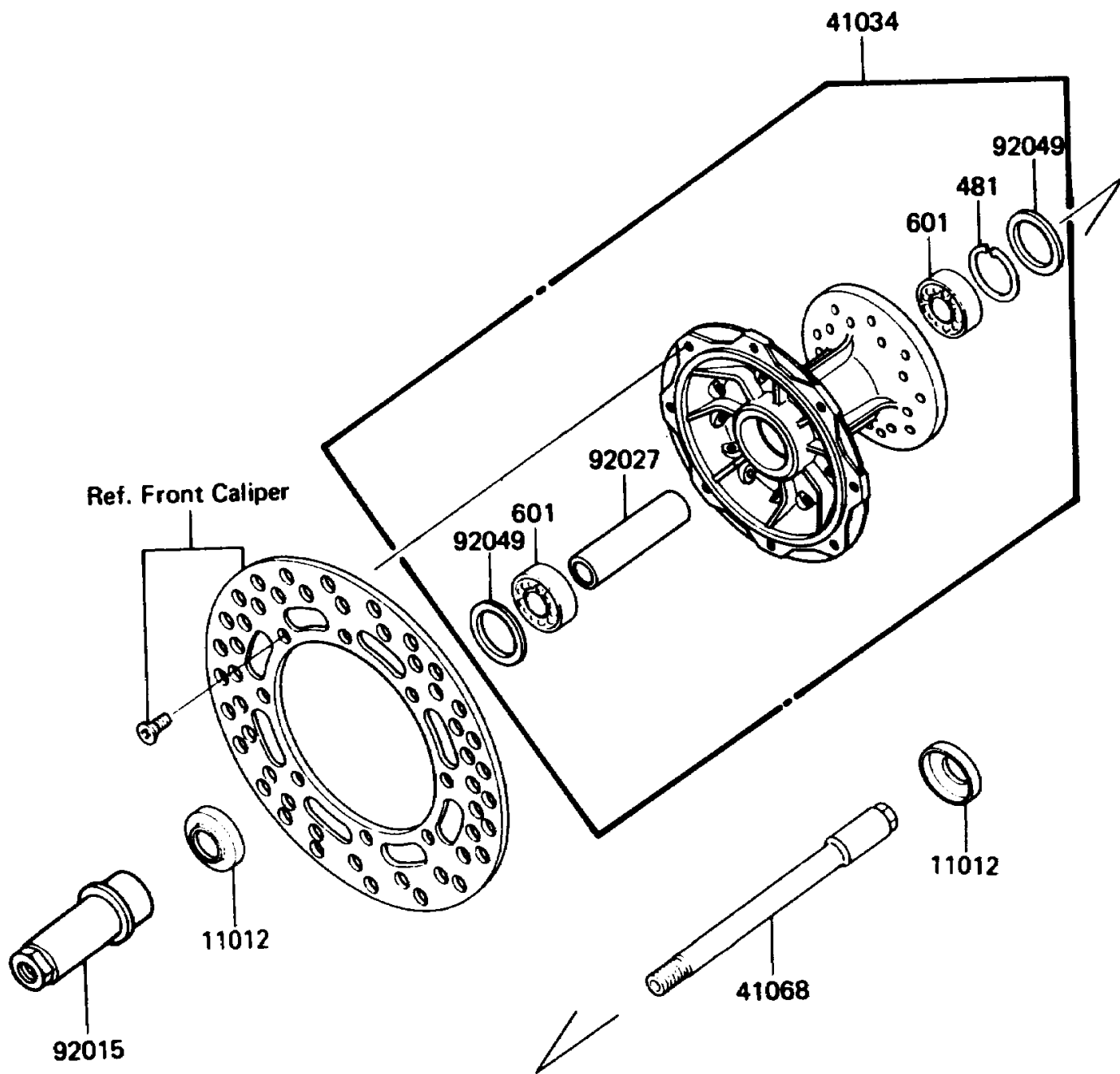


1988 KX™500 PARTS DIAGRAM

Front Hub

F2230-0125



1988 KX™500 PARTS LIST

Front Hub

ITEM NAME	PART NUMBER	QUANTITY
CAP,FRONT AXLE (Ref # 11012)	11012-1580	1
DRUM-ASSY,FRONT BRAKE (Ref # 41034)	41034-1170	1
AXLE,FR (Ref # 41068)	41068-1241	1
NUT,FRONT AXLE (Ref # 92015)	92015-1654	1
COLLAR,FR BRAKE DRUM,L=78 (Ref # 92027)	92027-1829	1
SEAL-OIL,BSNC2 22404 (Ref # 92049)	92049-1204	1
CIRCLIP-TYPE-C,40MM (Ref # 481)	481J4000	1
BEARING-BALL,#6203LUC3/2A (Ref # 601)	601B6203U	1