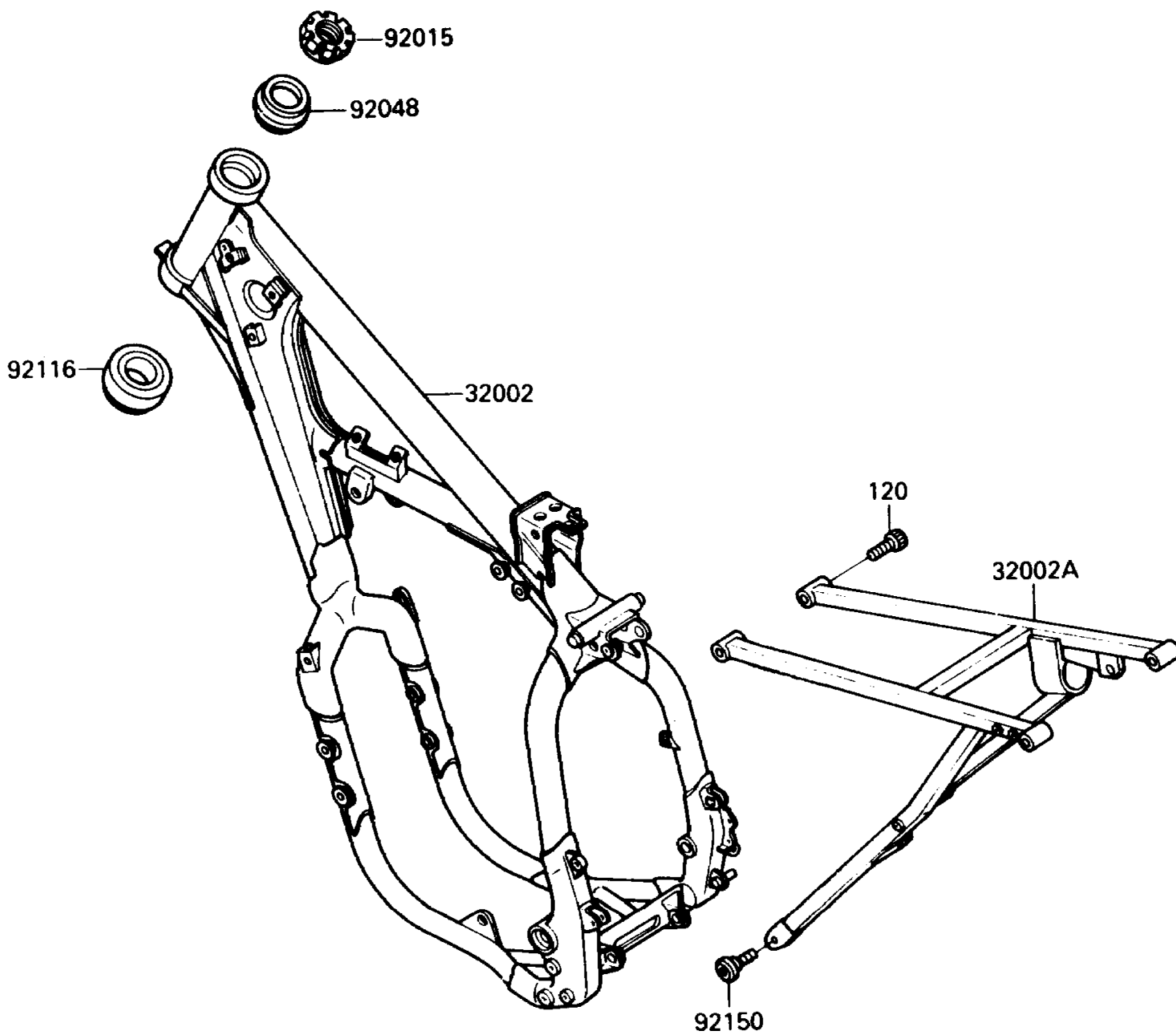


## 1988 KX™500 PARTS DIAGRAM

Frame

F2120-0317



## 1988 KX™500 PARTS LIST

Frame

ITEM NAME	PART NUMBER	QUANTITY
FRAME-COMP,FR (Ref # 32002)	32002-1964	1
FRAME-COMP,AL,RR (Ref # 32002A)	32002-1965	1
NUT,STEERING STEM,25MM (Ref # 92015)	92015-1684	1
RACE,ROLLER,32005JR RS (Ref # 92048)	92047-017	1
BEARING-ROLLER,LWR,32006JR RS (Ref # 92116)	92116-1008	1
BOLT,SOCKET,8X19 (Ref # 92150)	92150-1016	1
BOLT-SOCKET (Ref # 120)	120P0816	1