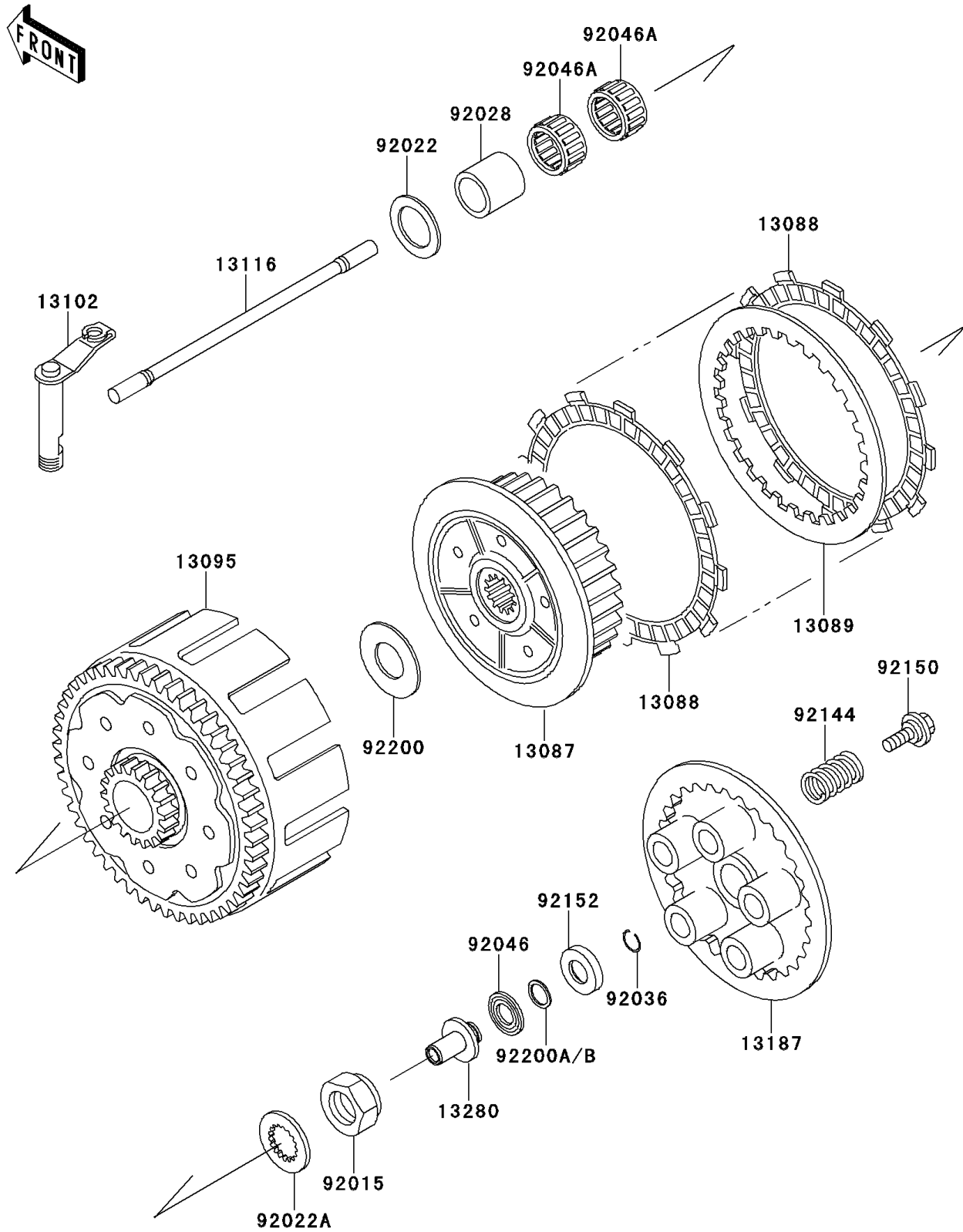


2001 KX™250 PARTS DIAGRAM

Clutch

E1350



2001 KX™250 PARTS LIST

Clutch

ITEM NAME	PART NUMBER	QUANTITY
HUB-CLUTCH (Ref # 13087)	13087-1168	1
PLATE-FRICTION (Ref # 13088)	13088-1105	1
PLATE-CLUTCH (Ref # 13089)	13089-1066	1
HOUSING-COMP-CLUTCH (Ref # 13095)	13095-1368	1
RELEASE-COMP-CLUTCH (Ref # 13102)	13102-1154	1
ROD-PUSH (Ref # 13116)	13116-1162	1
PLATE-CLUTCH OPERATING (Ref # 13187)	13187-1087	1
HOLDER,CLUTCH RELEASE (Ref # 13280)	13280-1218	1
NUT,20MM (Ref # 92015)	92015-1725	1
WASHER,25.5X38X2 (Ref # 92022)	92022-1075	1
WASHER (Ref # 92022A)	92022-1942	1
BUSHING (Ref # 92028)	92028-1702	1
RING-SNAP,PISTON PIN (Ref # 92036)	92036-007	1
BEARING-NEEDLE,FNTA-1326 (Ref # 92046)	92046-1190	1
BEARING-NEEDLE,K30X34X13.8 (Ref # 92046A)	92046-1222	1
SPRING,CLUTCH (Ref # 92144)	92144-1351	1
BOLT,6X22 (Ref # 92150)	92150-1489	1
COLLAR (Ref # 92152)	92152-1282	1
WASHER,22.5X47X2 (Ref # 92200)	92200-1143	1
WASHER,T=1.0 (Ref # 92200A)	92200-1547	1
WASHER,T=1.5 (Ref # 92200B)	92200-1548	1