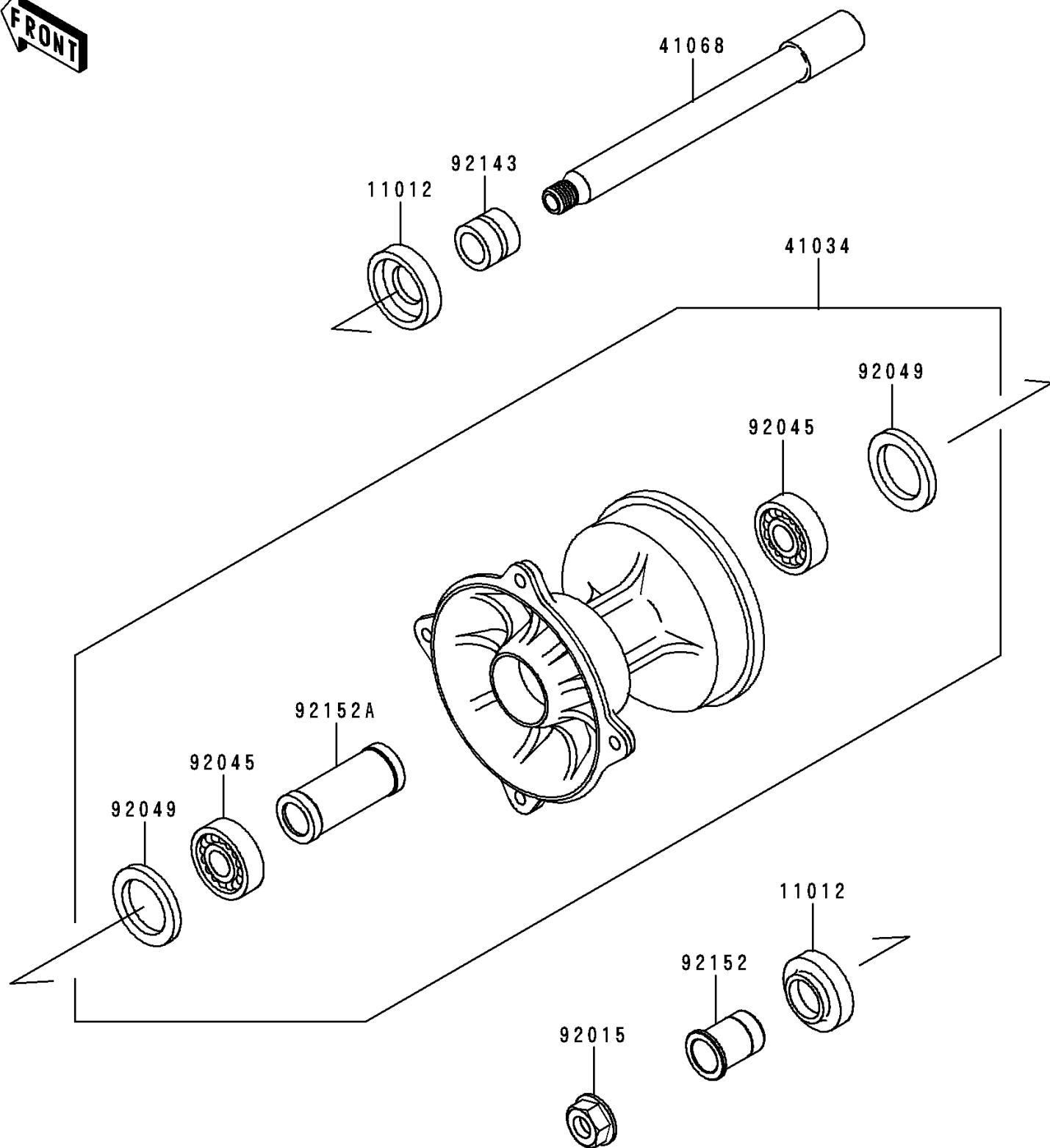


2000 KX™250 PARTS DIAGRAM

Front Hub

F2230



2000 KX™250 PARTS LIST

Front Hub

ITEM NAME	PART NUMBER	QUANTITY
CAP,AXLE (Ref # 11012)	11012-1581	1
DRUM-ASSY,FRONT BRAKE (Ref # 41034)	41034-1300	1
AXLE,FR (Ref # 41068)	41068-1406	1
NUT,16MM (Ref # 92015)	92015-1465	1
BEARING-BALL,69042RS (Ref # 92045)	92045-1284	1
SEAL-OIL,BJNC-2 25X37X5 (Ref # 92049)	92049-1403	1
COLLAR,FR AXLE,L=20 (Ref # 92143)	92143-1581	1
COLLAR,FR AXLE,L=36 (Ref # 92152)	92152-1097	1
COLLAR,FR BRAKE DRUM,L=72 (Ref # 92152A)	92152-1143	1