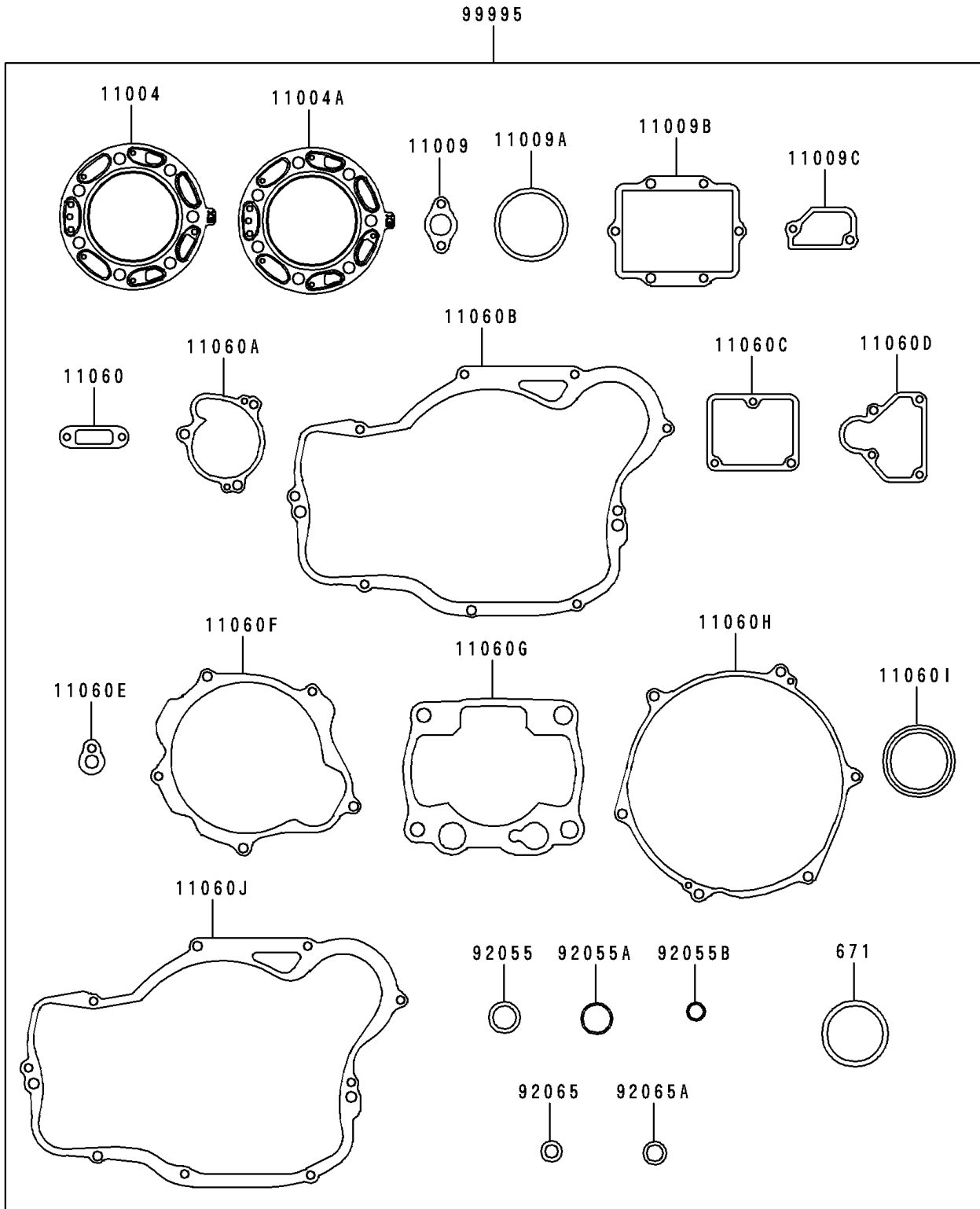


1998 KX™250 PARTS DIAGRAM

Gasket Kit

F2885



1998 KX™250 PARTS LIST

Gasket Kit

ITEM NAME	PART NUMBER	QUANTITY
O RING,50MM (Ref # 671)	671E2550	1
GASKET-HEAD,T=0.26 (Ref # 11004)	11004-1240	1
GASKET-HEAD,T=0.46 (Ref # 11004A)	11004-1241	1
GASKET,ELBOW (Ref # 11009)	11009-1935	1
GASKET,EXHAUST PIPE (Ref # 11009A)	11009-1949	1
GASKET,REED VALVE (Ref # 11009B)	11009-1950	1
GASKET,GOVERNOR COVER (Ref # 11009C)	11009-1960	1
GASKET (Ref # 11060)	11060-1183	1
GASKET,PUMP COVER (Ref # 11060A)	11060-1184	1
GASKET,CLUTCH COVER,IN (Ref # 11060B)	11060-1185	1
GASKET,VALVE COVER (Ref # 11060C)	11060-1289	1
GASKET,RESONATOR (Ref # 11060D)	11060-1290	1
GASKET,GOVERNOR ROD (Ref # 11060E)	11060-1346	1
GASKET,GENERATOR COVER (Ref # 11060F)	11060-1352	1
GASKET,CYLINDER BASE (Ref # 11060G)	11060-1493	1
GASKET,CLUTCH COVER,OUT (Ref # 11060H)	11060-1494	1
GASKET,EXHAUST PIPE (Ref # 11060I)	11060-1689	1
GASKET,CLUTCH COVER,IN (Ref # 11060J)	11060-1749	1
RING-O,17.5X1.5 (Ref # 92055)	92055-022	1
RING-O (Ref # 92055A)	92055-035	1
RING-O,11.5X1.5 (Ref # 92055B)	92055-1387	1
GASKET,10.5X16X1,DRAIN PLUG (Ref # 92065)	92065-058	1
GASKET,12.5X18X1,DRAIN PLUG (Ref # 92065A)	92065-073	1
GASKET-SET,KX250K (Ref # 99995)	99995-1399	1