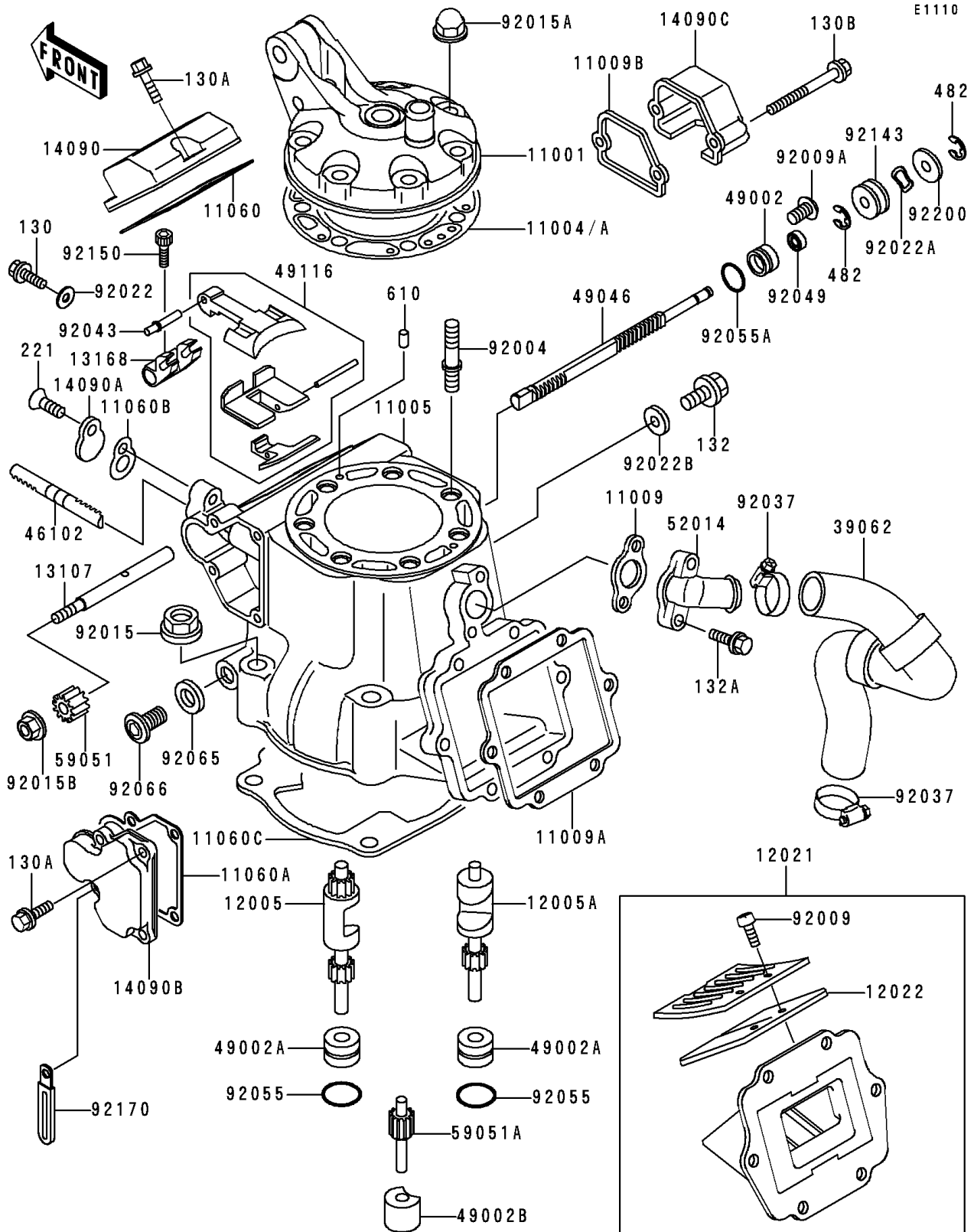


1998 KX™250 PARTS DIAGRAM

Cylinder Head/Cylinder



1998 KX™250 PARTS LIST

Cylinder Head/Cylinder

ITEM NAME	PART NUMBER	QUANTITY
HEAD-CYLINDER (Ref # 11001)	11001-1425	1
GASKET-HEAD,T=0.26 (Ref # 11004)	11004-1240	1
GASKET-HEAD,T=0.46 (Ref # 11004A)	11004-1241	1
CYLINDER-ENGINE (Ref # 11005)	11005-1851	1
GASKET,ELBOW (Ref # 11009)	11009-1935	1
GASKET,REED VALVE (Ref # 11009A)	11009-1950	1
GASKET,GOVERNOR COVER (Ref # 11009B)	11009-1960	1
GASKET,VALVE COVER (Ref # 11060)	11060-1289	1
GASKET,RESONATOR (Ref # 11060A)	11060-1290	1
GASKET,GOVERNOR ROD (Ref # 11060B)	11060-1346	1
GASKET,CYLINDER BASE (Ref # 11060C)	11060-1493	1
VALVE-EXHAUST,LH (Ref # 12005)	12005-1252	1
VALVE-EXHAUST,RH (Ref # 12005A)	12005-1253	1
VALVE-ASSY-REED (Ref # 12021)	12021-1112	1
VALVE-REED (Ref # 12022)	12022-1081	1
SHAFT,MAIN (Ref # 13107)	13107-1284	1
LEVER,MAIN VALVE (Ref # 13168)	13168-1499	1
COVER,VALVE COVER (Ref # 14090)	14090-1219	1
COVER,ROD (Ref # 14090A)	14090-1220	1
COVER,RESONATOR (Ref # 14090B)	14090-1226	1
COVER,GOVERNOR (Ref # 14090C)	14090-1249	1
HOSE-COOLING,PUMP-CYLINDER (Ref # 39062)	39062-1478	1
ROD (Ref # 46102)	46102-1332	1
GUIDE-VALVE (Ref # 49002)	49002-1087	1
GUIDE-VALVE (Ref # 49002A)	49002-1117	1
GUIDE-VALVE (Ref # 49002B)	49002-1118	1
ROD-GOVERNOR (Ref # 49046)	49046-1072	1
VALVE-ASSY,EXHAUST (Ref # 49116)	49116-1159	1
ELBOW (Ref # 52014)	52014-1077	1

1998 KX™250 PARTS LIST

Cylinder Head/Cylinder

ITEM NAME	PART NUMBER	QUANTITY
GEAR-SPUR,MAIN VALVE (Ref # 59051)	59051-1252	1
GEAR-SPUR,IDLE (Ref # 59051A)	59051-1275	1
STUD,8X28 (Ref # 92004)	92004-1236	1
SCREW,REED VALVE (Ref # 92009)	92009-1014	1
SCREW,5X10 (Ref # 92009A)	92009-1502	1
NUT,FLANGED,10MM (Ref # 92015)	92015-077	1
NUT,CAP,8MM (Ref # 92015A)	92015-1151	1
NUT,6MM (Ref # 92015B)	92015-1572	1
WASHER,5.2X13X1 (Ref # 92022)	92022-1380	1
WASHER,WAVE (Ref # 92022A)	92022-1978	1
BOLT-FLANGED (Ref # 130)	130G0510	1
BOLT-FLANGED (Ref # 130A)	130G0514	1
BOLT-FLANGED (Ref # 130B)	130G0535	1
BOLT-FLANGED-SMALL (Ref # 132)	132G0608	1
BOLT-FLANGED-SMALL (Ref # 132A)	132G0625	1
SCREW-CSK-CROS,6X12 (Ref # 221)	221B0612	1
CIRCLIP-TYPE-E,4MM (Ref # 482)	482J4000	1
ROLLER,4X8 (Ref # 610)	610A0408	1
WASHER,6.2X11X1 (Ref # 92022B)	92022-304	1
CLAMP,COOLING HOSE (Ref # 92037)	92037-1589	1
PIN,MAIN VALVE (Ref # 92043)	92043-1470	1
SEAL-OIL,RSO-5.5X11X4 (Ref # 92049)	92049-1206	1
RING-O,17.5X1.5 (Ref # 92055)	92055-022	1
RING-O,11.5X1.5 (Ref # 92055A)	92055-1387	1
GASKET,12.5X18X1,DRAIN PLUG (Ref # 92065)	92065-073	1
PLUG,12X10 (Ref # 92066)	92066-1222	1
COLLAR (Ref # 92143)	92143-1056	1
BOLT,SOCKET,4X8 (Ref # 92150)	92150-1888	1
CLAMP (Ref # 92170)	92170-1514	1

1998 KX™250 PARTS LIST

Cylinder Head/Cylinder

ITEM NAME	PART NUMBER	QUANTITY
WASHER,5.6X18X1.2 (Ref # 92200)	92200-1129	1