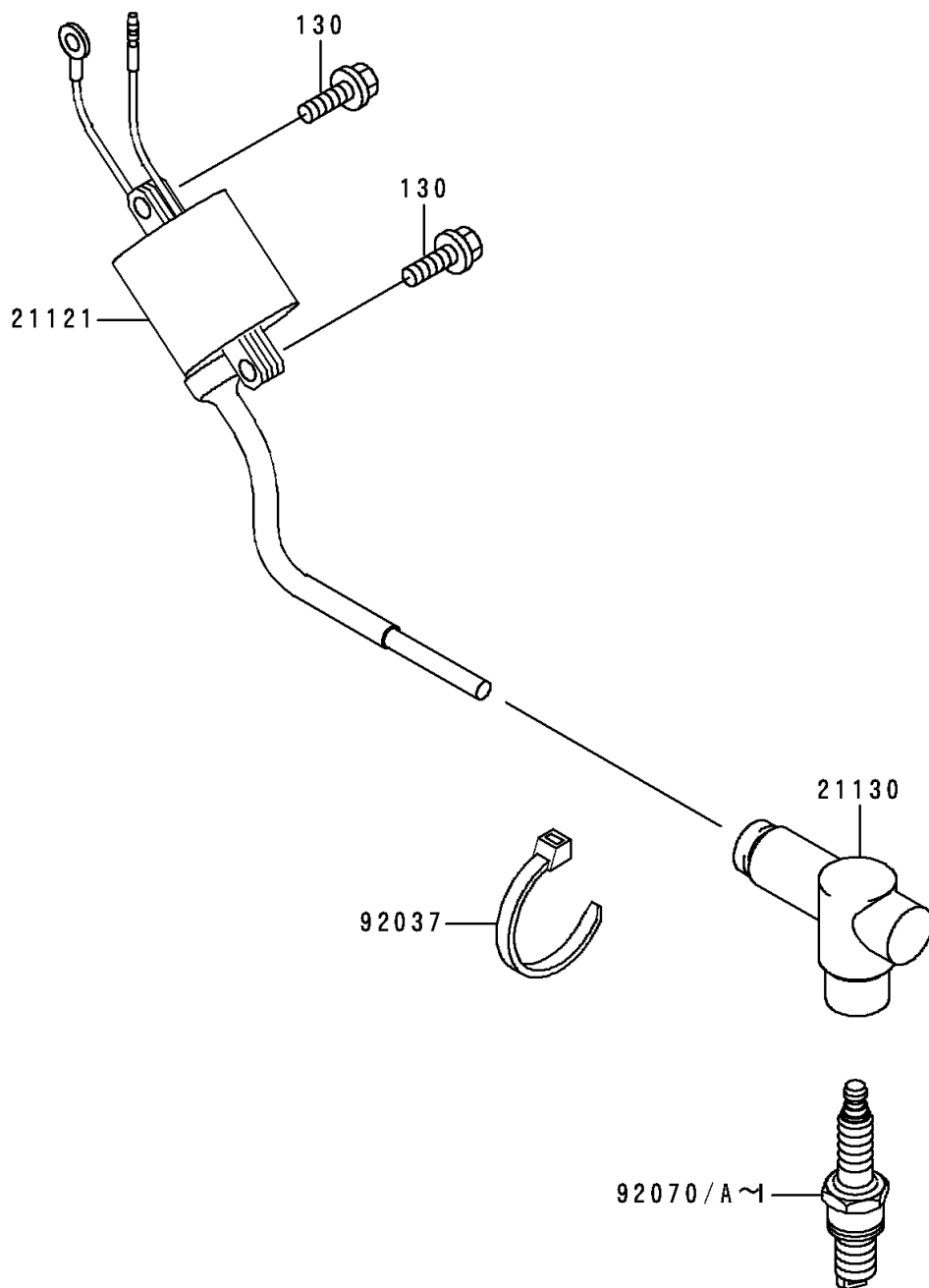


1996 KX™250 PARTS DIAGRAM

Ignition System

E1830



1996 KX™250 PARTS LIST

Ignition System

ITEM NAME	PART NUMBER	QUANTITY
BOLT-FLANGED (Ref # 130)	130G0520	1
COIL-IGNITION (Ref # 21121)	21121-1248	1
CAP-SPARK PLUG (Ref # 21130)	21130-1073	1
CLAMP (Ref # 92037)	92037-1173	1
PLUG-SPARK,B8EVX(NGK) (Ref # 92070)	92070-1214	1
PLUG-SPARK,BR8EVX(NGK) (Ref # 92070A)	92070-1215	1
PLUG-SPARK,R6252E-9(NGK) (Ref # 92070B)	92070-1238	1
PLUG-SPARK,R6254E-9(NGK) (Ref # 92070C)	92070-1239	1
PLUG-SPARK,R6254E-8(NGK) (Ref # 92070D)	92070-1242	1
PLUG-SPARK,R6252E-8(NGK) (Ref # 92070E)	92070-1243	1
PLUG-SPARK,B7EVX(NGK) (Ref # 92070F)	92070-1246	1
PLUG-SPARK,R4630A-8(NGK) (Ref # 92070G)	92070-1247	1
PLUG-SPARK,R4630A-9(NGK) (Ref # 92070H)	92070-1248	1
PLUG-SPARK,BR7EVX(NGK) (Ref # 92070I)	92070-1249	1