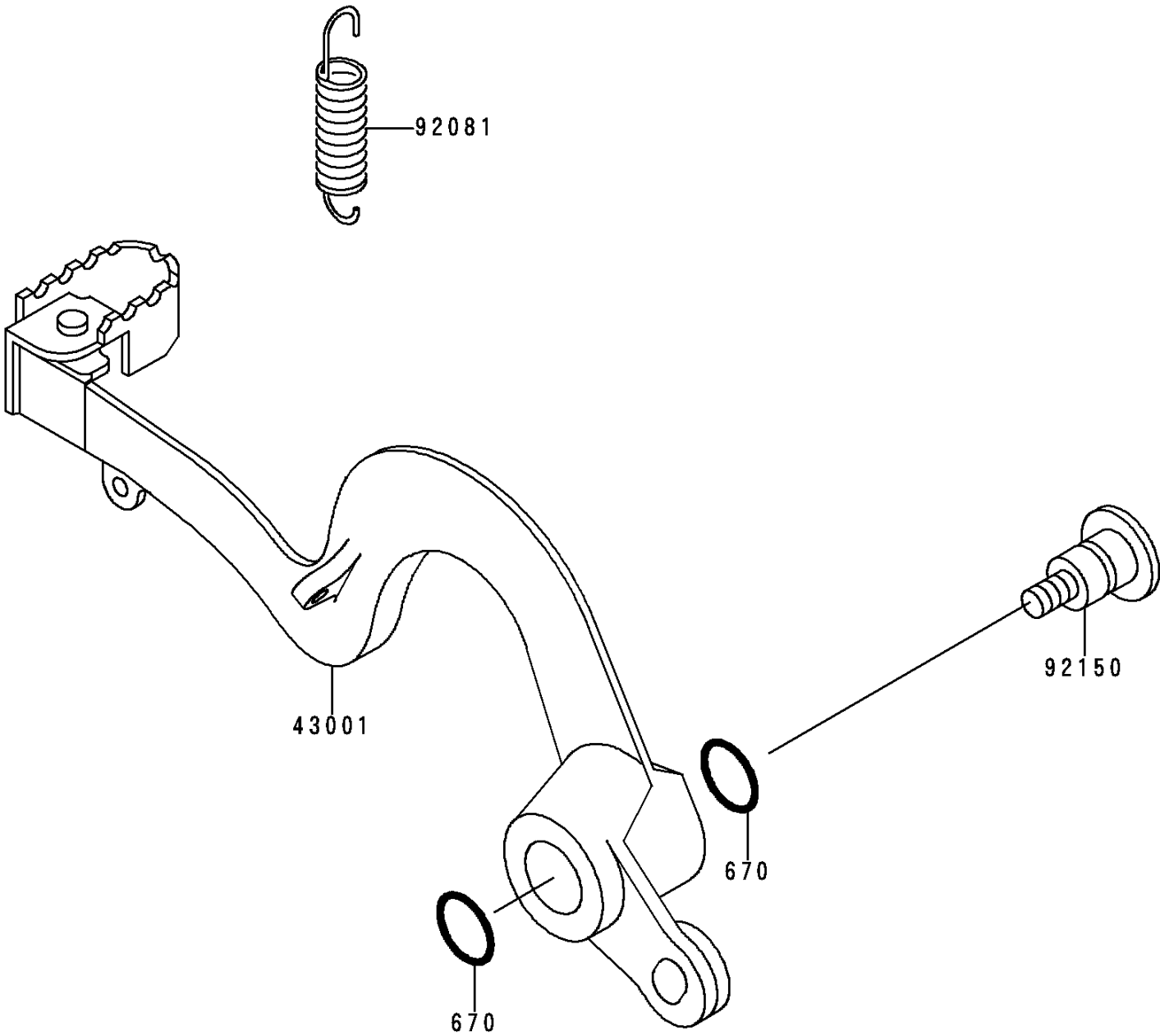


## 1995 KX™250 PARTS DIAGRAM

Brake Pedal

F2260



## 1995 KX™250 PARTS LIST

Brake Pedal

ITEM NAME	PART NUMBER	QUANTITY
O RING,16MM (Ref # 670)	670B2016	1
LEVER-BRAKE,PEDAL (Ref # 43001)	43001-1351	1
SPRING,BRAKE PEDAL RETURN (Ref # 92081)	92081-1932	1
BOLT (Ref # 92150)	92150-1832	1