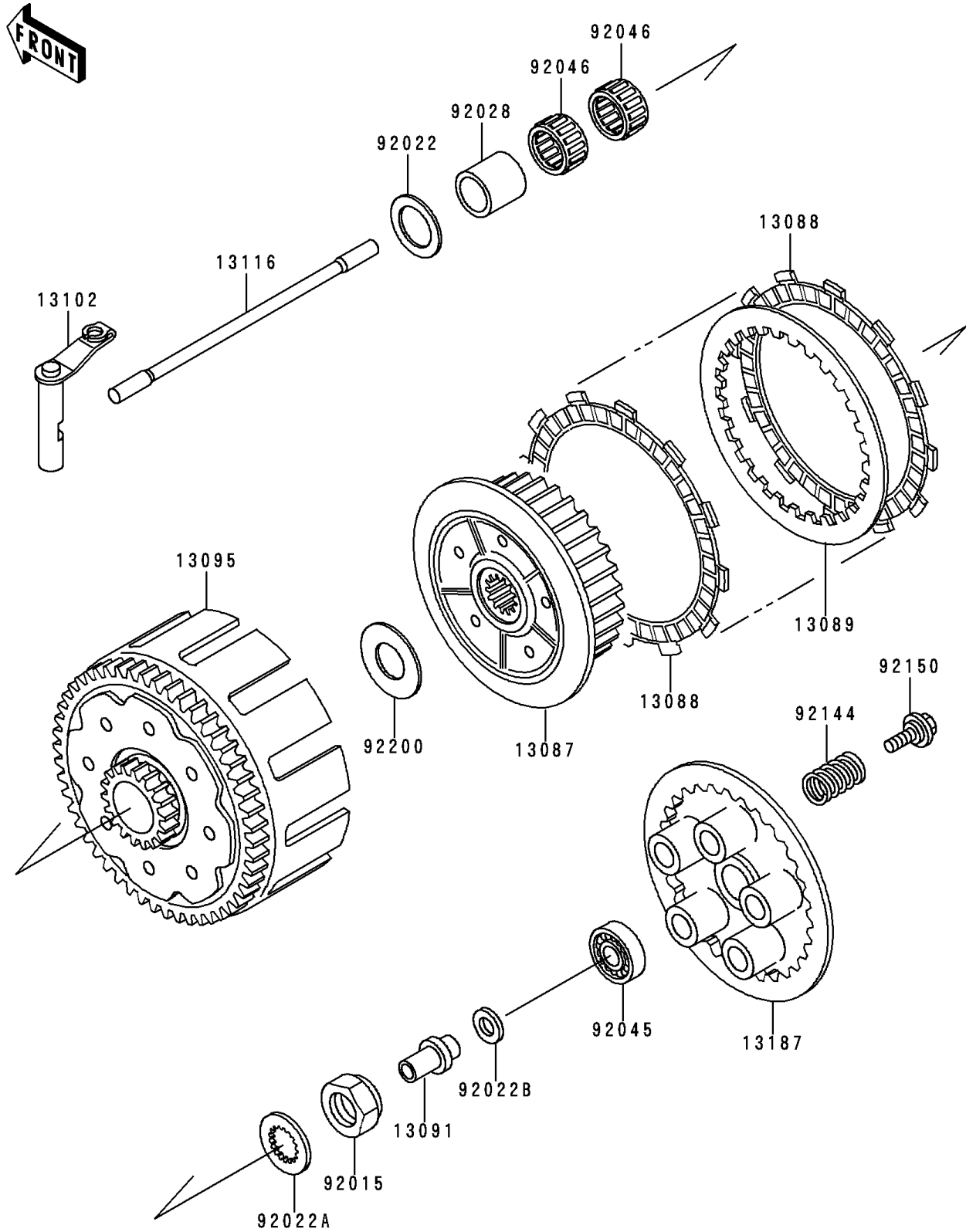


## 1995 KX™250 PARTS DIAGRAM

Clutch

E1350



## 1995 KX™250 PARTS LIST

### Clutch

| ITEM NAME                                | PART NUMBER | QUANTITY |
|--|-------------|----------|
| HUB-CLUTCH (Ref # 13087)                 | 13087-1153  | 1        |
| PLATE-FRICTION (Ref # 13088)             | 13088-1105  | 1        |
| PLATE-CLUTCH (Ref # 13089)               | 13089-1066  | 1        |
| HOLDER (Ref # 13091)                     | 13091-1762  | 1        |
| HOUSING-COMP-CLUTCH (Ref # 13095)        | 13095-1278  | 1        |
| RELEASE-COMP-CLUTCH (Ref # 13102)        | 13102-1126  | 1        |
| ROD-PUSH,L=205 (Ref # 13116)             | 13116-1124  | 1        |
| PLATE-CLUTCH OPERATING (Ref # 13187)     | 13187-1012  | 1        |
| NUT,20MM (Ref # 92015)                   | 92015-1725  | 1        |
| WASHER,25.5X38X2 (Ref # 92022)           | 92022-1075  | 1        |
| WASHER (Ref # 92022A)                    | 92022-1942  | 1        |
| WASHER,12.3X20X0.5 (Ref # 92022B)        | 92022-269   | 1        |
| BUSHING (Ref # 92028)                    | 92028-1702  | 1        |
| BEARING-BALL,6001C3ML01 (Ref # 92045)    | 92045-1235  | 1        |
| BEARING-NEEDLE,K30X34X13.8 (Ref # 92046) | 92046-1222  | 1        |
| SPRING,CLUTCH (Ref # 92144)              | 92144-1351  | 1        |
| BOLT,6X22 (Ref # 92150)                  | 92150-1489  | 1        |
| WASHER,22.5X47X2 (Ref # 92200)           | 92200-1143  | 1        |