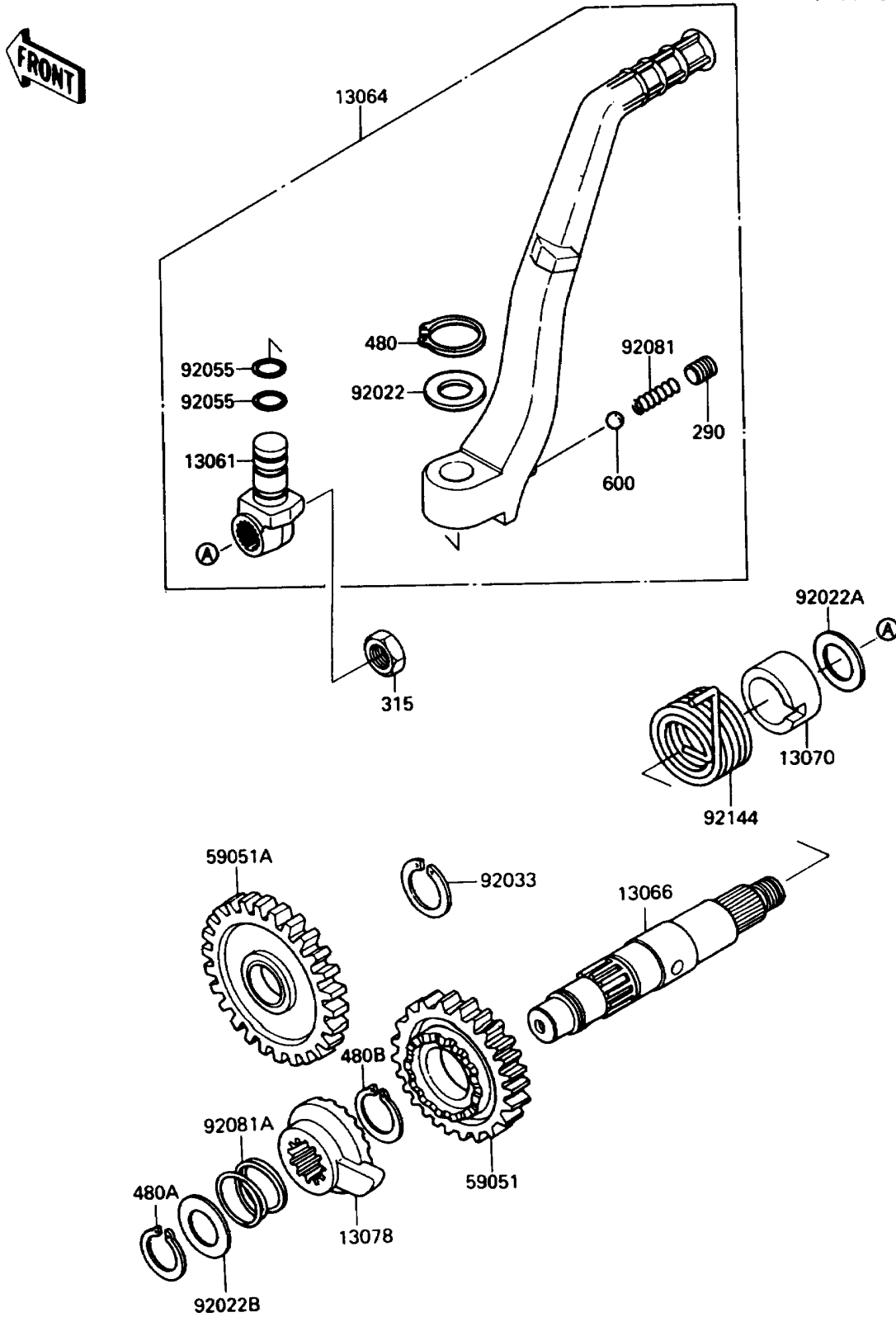


1989 KX™250 PARTS DIAGRAM

Kickstarter Mechanism

(E1340)



1989 KX™250 PARTS LIST

Kickstarter Mechanism

| ITEM NAME | PART NUMBER | QUANTITY |
|--|-------------|----------|
| BOSS,KICK PEDAL (Ref # 13061) | 13061-1255 | 1 |
| LEVER-ASSY-KICK,PEDAL (Ref # 13064) | 13064-1135 | 1 |
| SHAFT-KICK (Ref # 13066) | 13066-1068 | 1 |
| GUIDE,KICK SPRING (Ref # 13070) | 13070-1063 | 1 |
| RATCHET (Ref # 13078) | 13078-1007 | 1 |
| GEAR,KICKSTARTER,26T (Ref # 59051) | 59051-1177 | 1 |
| GEAR,KICKSTARTER IDLE,26T (Ref # 59051A) | 59051-1178 | 1 |
| WASHER,16.3X24X1 (Ref # 92022) | 92022-1205 | 1 |
| WASHER,18.3X22X0.5 (Ref # 92022A) | 92022-271 | 1 |
| WASHER,16.8X22X0.5 (Ref # 92022B) | 92022-315 | 1 |
| RING-SNAP,18MM (Ref # 92033) | 92033-029 | 1 |
| RING-O,10X1.5 (Ref # 92055) | 92055-061 | 1 |
| SPRING,KICK PEDAL (Ref # 92081) | 92081-020 | 1 |
| SPRING,RATCHET (Ref # 92081A) | 92081-122 | 1 |
| SPRING,KICKSTARTER (Ref # 92144) | 92144-1076 | 1 |
| SCREW-SET-SOCKET (Ref # 290) | 290P0812 | 1 |
| NUT-HEX-FINE (Ref # 315) | 315B1200 | 1 |
| CIRCLIP-TYPE-C,15MM (Ref # 480) | 480J1500 | 1 |
| CIRCLIP-TYPE-C,16MM (Ref # 480A) | 480J1600 | 1 |
| CIRCLIP-TYPE-C,18MM (Ref # 480B) | 480J1800 | 1 |
| BALL-STEEL,1/4" (Ref # 600) | 600A0800 | 1 |