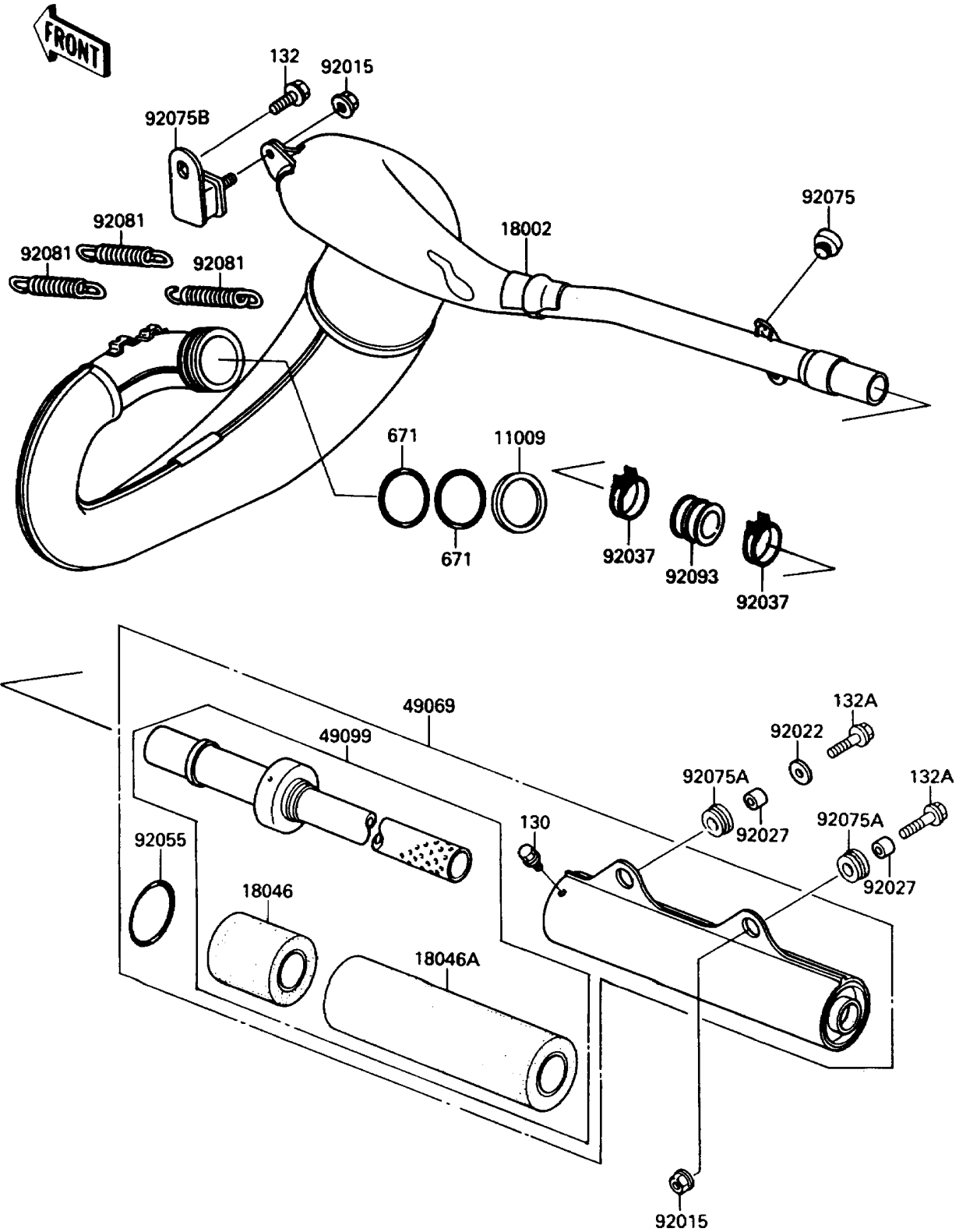


1989 KX™250 PARTS DIAGRAM

Muffler(s)

(E1140)



1989 KX™250 PARTS LIST

Muffler(s)

ITEM NAME	PART NUMBER	QUANTITY
GASKET,EXHAUST PIPE (Ref # 11009)	11009-1253	1
BODY-COMP-MUFFLER (Ref # 18002)	18002-1866	1
WOOL,MUFFLER BAFFLE PIPE (Ref # 18046)	18046-1096	1
WOOL,MUFFLER BAFFLE PIPE (Ref # 18046A)	18046-1105	1
MUFFLER-ASSY (Ref # 49069)	49069-1094	1
BAFFLE-PIPE MUFFLER (Ref # 49099)	49099-1260	1
NUT,FLANGED,6MM (Ref # 92015)	92015-1078	1
WASHER,6.5X22X1.6 (Ref # 92022)	92022-237	1
COLLAR,6.8X10X11.5 (Ref # 92027)	92027-1210	1
CLAMP (Ref # 92037)	92037-177	1
RING-O,ID=57.6 (Ref # 92055)	92055-1038	1
DAMPER (Ref # 92075)	92075-1598	1
DAMPER,MUFFLER FITTING (Ref # 92075A)	92075-1857	1
DAMPER,MUFFLER (Ref # 92075B)	92075-1891	1
SPRING (Ref # 92081)	92081-1526	1
SEAL,MUFFLER (Ref # 92093)	92093-1014	1
BOLT-FLANGED (Ref # 130)	130G0508	1
BOLT-FLANGED-SMALL (Ref # 132)	132G0612	1
BOLT-FLANGED-SMALL (Ref # 132A)	132G0630	1
O RING,50MM (Ref # 671)	671E2550	1