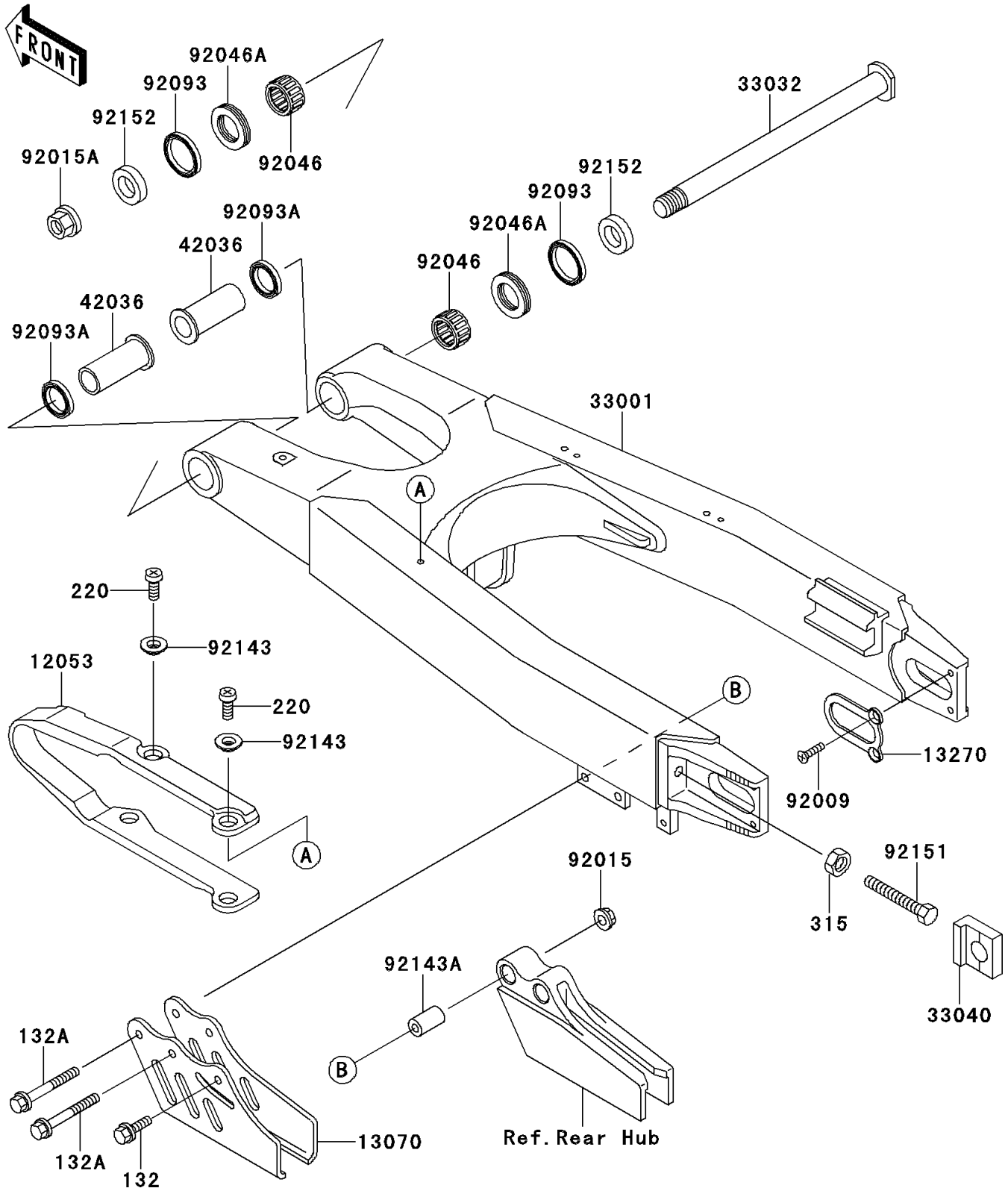


## 2001 KX™125 PARTS DIAGRAM

Swingarm

F2141



## 2001 KX™125 PARTS LIST

### Swingarm

ITEM NAME	PART NUMBER	QUANTITY
BOLT-FLANGED-SMALL (Ref # 132)	132G0612	1
BOLT-FLANGED-SMALL (Ref # 132A)	132G0650	1
SCREW-PAN-CROS,5X8 (Ref # 220)	220B0508	1
NUT-HEX-FINE,10MM (Ref # 315)	315G1000	1
GUIDE-CHAIN,DRIVE,FR (Ref # 12053)	12053-1422	1
GUIDE,DRIVE CHAIN GUIDE,RR (Ref # 13070)	13070-1333	1
PLATE (Ref # 13270)	13270-1636	1
ARM-COMP-SWING,SILVER (Ref # 33001)	33001-1575-TX	1
SHAFT-SWING ARM (Ref # 33032)	33032-1189	1
ADJUSTER-CHAIN (Ref # 33040)	33040-1156	1
SLEEVE,SWING ARM,L=54 (Ref # 42036)	42036-1326	1
SCREW,5X10 (Ref # 92009)	92009-1828	1
NUT,FLANGED,6MM (Ref # 92015)	92015-1078	1
NUT,FLANGED,16MM (Ref # 92015A)	92015-1316	1
BEARING-NEEDLE,TA2230Z (Ref # 92046)	92046-1174	1
BEARING-NEEDLE,NTBR22356E01 (Ref # 92046A)	92046-1240	1
SEAL,SD029X35X4.5 (Ref # 92093)	92093-1434	1
SEAL,SD022X29X5 (Ref # 92093A)	92093-1435	1
COLLAR (Ref # 92143)	92143-1676	1
COLLAR,6.5X14X24 (Ref # 92143A)	92143-1867	1
BOLT,10X55 (Ref # 92151)	92151-1397	1
COLLAR,17.1X29X7.5 (Ref # 92152)	92152-1137	1