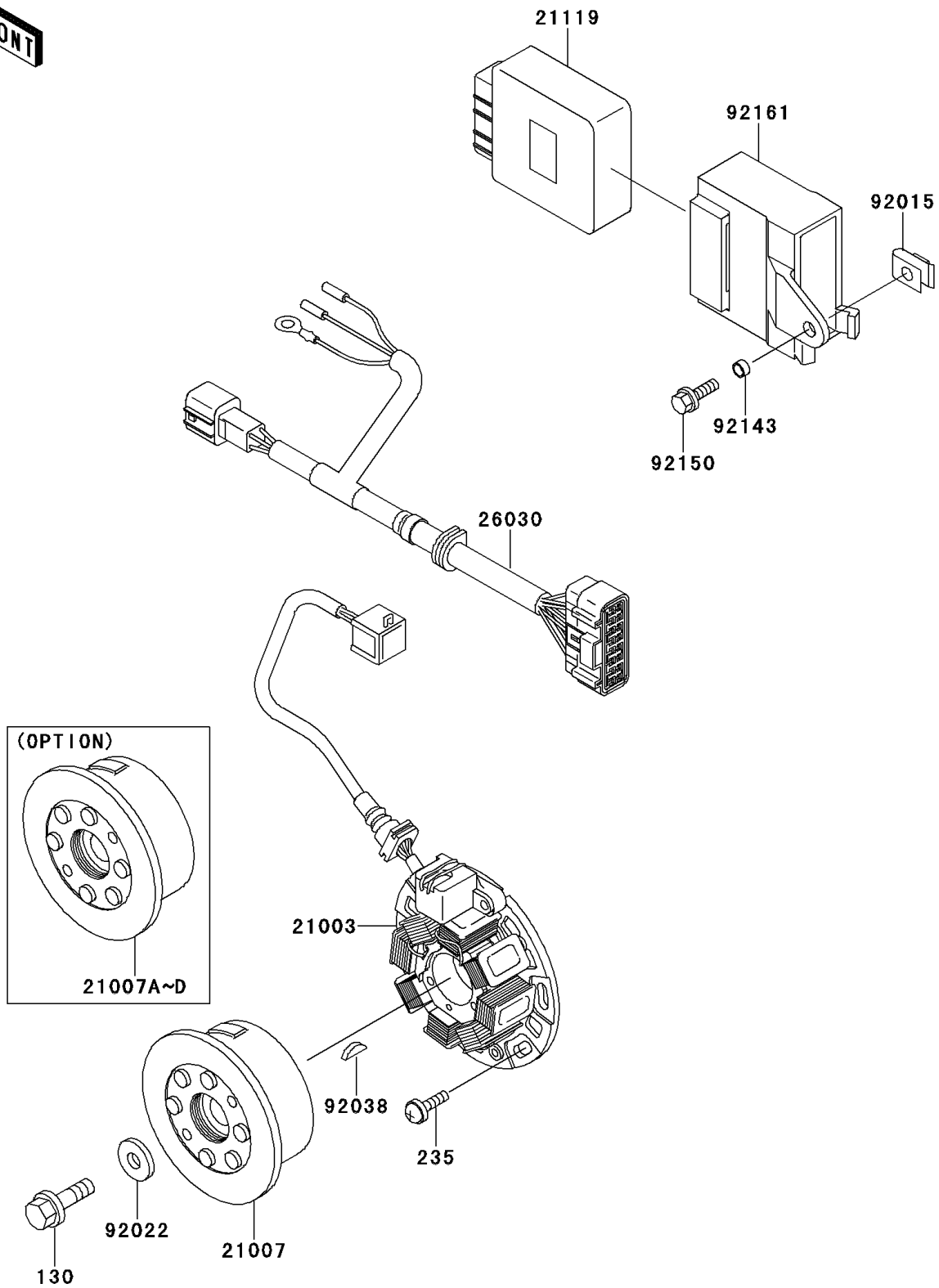


2001 KX™125 PARTS DIAGRAM

Generator

E1810



2001 KX™125 PARTS LIST

Generator

ITEM NAME	PART NUMBER	QUANTITY
BOLT-FLANGED (Ref # 130)	130P0825	1
SCREW-PAN-WP-CROS (Ref # 235)	235B0616	1
STATOR (Ref # 21003)	21003-1365	1
ROTOR,I=4.0KGCM2 (Ref # 21007)	21007-1386	1
ROTOR,I=4.5KGCM2 (Ref # 21007A)	21007-1387	1
ROTOR,I=4.9KGCM2 (Ref # 21007B)	21007-1388	1
ROTOR,I=5.5KGCM2 (Ref # 21007C)	21007-1389	1
ROTOR,I=5.9KGCM2 (Ref # 21007D)	21007-1390	1
IGNITER (Ref # 21119)	21119-1574	1
HARNESS (Ref # 26030)	26030-1790	1
NUT,6MM (Ref # 92015)	92015-1602	1
WASHER,8.5X22X3.2 (Ref # 92022)	92022-276	1
KEY,WOODRUFF (Ref # 92038)	92038-001	1
COLLAR (Ref # 92143)	92143-1561	1
BOLT,FLANGED,6X16 (Ref # 92150)	92150-1506	1
DAMPER (Ref # 92161)	92161-1156	1