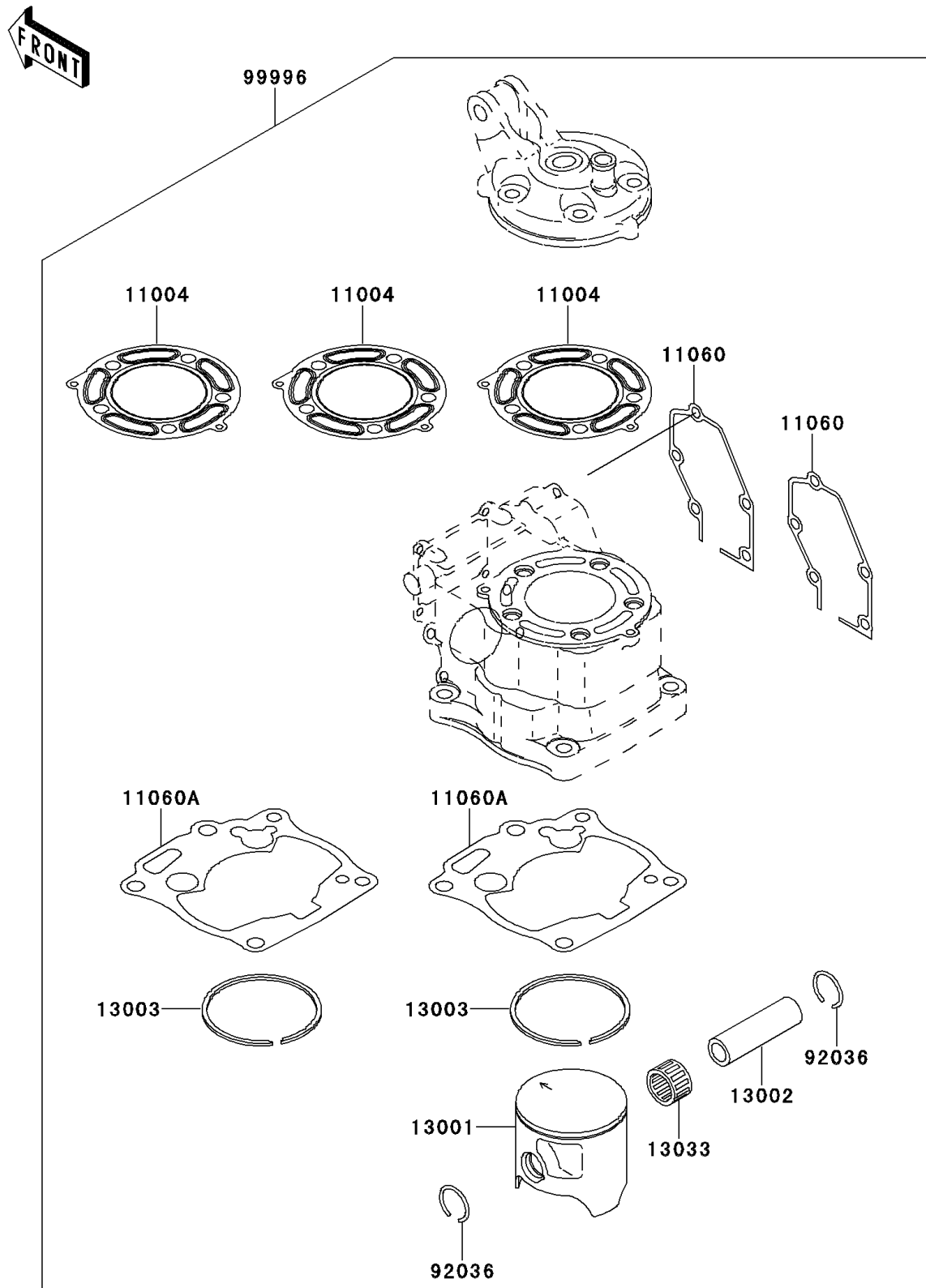


2000 KX™125 PARTS DIAGRAM

Optional Parts

F2890



2000 KX™125 PARTS LIST

Optional Parts

| ITEM NAME | PART NUMBER | QUANTITY |
|-------------------------------------|-------------|----------|
| GASKET-HEAD,T=0.26 (Ref # 11004) | 11004-1300 | 1 |
| GASKET,RH COVER (Ref # 11060) | 11060-1789 | 1 |
| GASKET,CYLINDER BASE (Ref # 11060A) | 11060-1955 | 1 |
| PISTON-ENGINE (Ref # 13001) | 13001-1524 | 1 |
| PIN-PISTON (Ref # 13002) | 13002-1099 | 1 |
| RING-PISTON TOP (Ref # 13003) | 13003-1356 | 1 |
| BEARING-SMALL END (Ref # 13033) | 13033-1057 | 1 |
| RING-SNAP (Ref # 92036) | 92036-005 | 1 |
| KIT (Ref # 99996) | 99996-1303 | 1 |