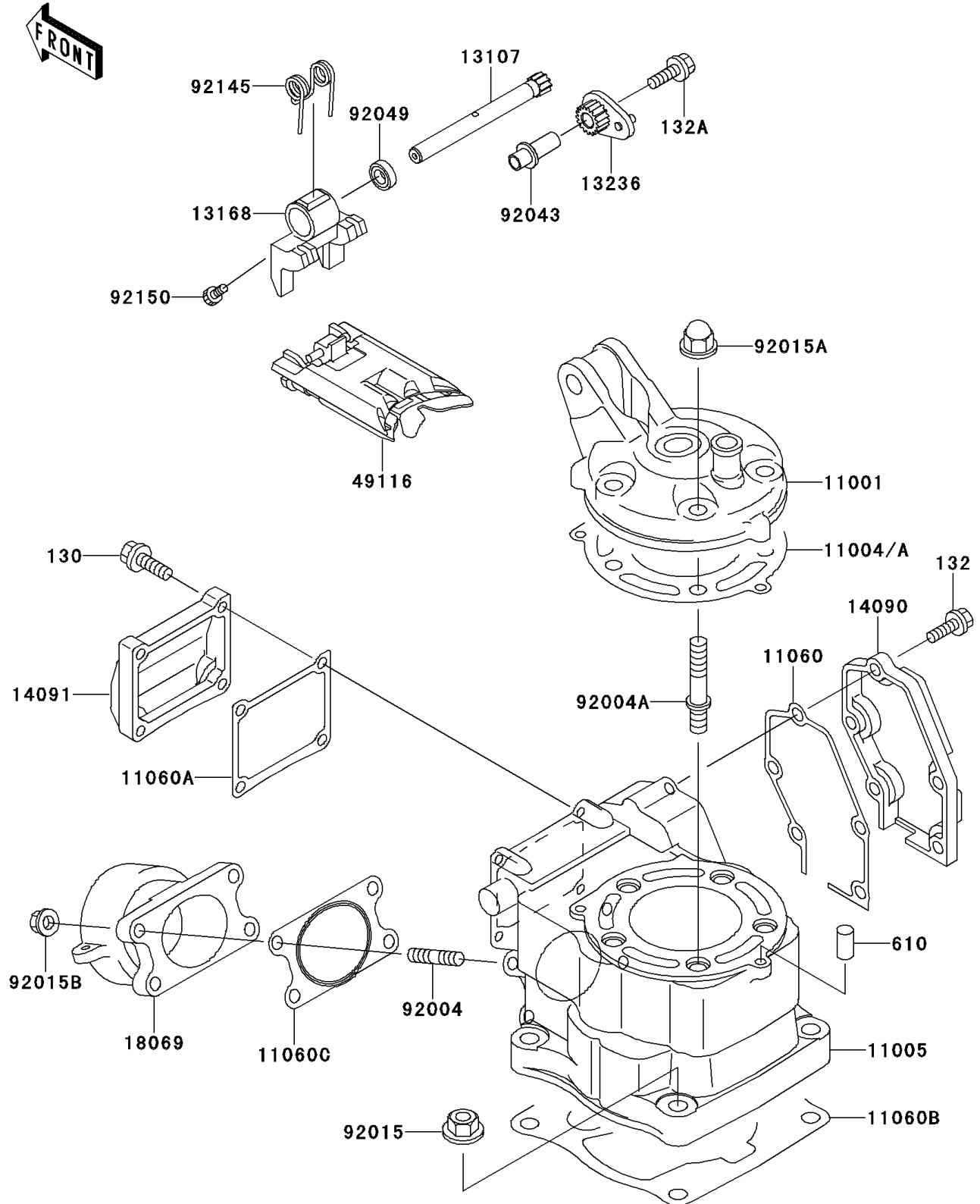


2000 KX™125 PARTS DIAGRAM

Cylinder Head/Cylinder

E1110



2000 KX™125 PARTS LIST

Cylinder Head/Cylinder

ITEM NAME	PART NUMBER	QUANTITY
BOLT-FLANGED (Ref # 130)	130G0525	1
BOLT-FLANGED-SMALL (Ref # 132)	132G0616	1
BOLT-FLANGED-SMALL (Ref # 132A)	132G0635	1
ROLLER,4X8 (Ref # 610)	610A0408	1
HEAD-CYLINDER (Ref # 11001)	11001-1532	1
GASKET-HEAD,T=0.46 (Ref # 11004)	11004-1252	1
GASKET-HEAD,T=0.26 (Ref # 11004A)	11004-1300	1
CYLINDER-ENGINE (Ref # 11005)	11005-1921	1
GASKET,RH COVER (Ref # 11060)	11060-1789	1
GASKET,CENTER COVER (Ref # 11060A)	11060-1876	1
GASKET,CYLINDER BASE (Ref # 11060B)	11060-1955	1
GASKET (Ref # 11060C)	11060-1973	1
SHAFT,VALVE (Ref # 13107)	13107-1399	1
LEVER,VALVE (Ref # 13168)	13168-1662	1
LEVER-COMP (Ref # 13236)	13236-1330	1
COVER,RH (Ref # 14090)	14090-1829	1
COVER,CENTER (Ref # 14091)	14091-1064	1
HOLDER-EXHAUST PIPE (Ref # 18069)	18069-1140	1
VALVE-ASSY (Ref # 49116)	49116-1175	1
STUD,6X18 (Ref # 92004)	92004-1154	1
STUD,8X28 (Ref # 92004A)	92004-1236	1
NUT,8MM (Ref # 92015)	92015-1143	1
NUT,CAP,8MM (Ref # 92015A)	92015-1151	1
NUT,FLANGED,6MM (Ref # 92015B)	92015-1367	1
PIN (Ref # 92043)	92043-1585	1
SEAL-OIL,SD088144 (Ref # 92049)	92049-1238	1
SPRING (Ref # 92145)	92145-1234	1
BOLT,SOCKET,4X8 (Ref # 92150)	92150-1888	1