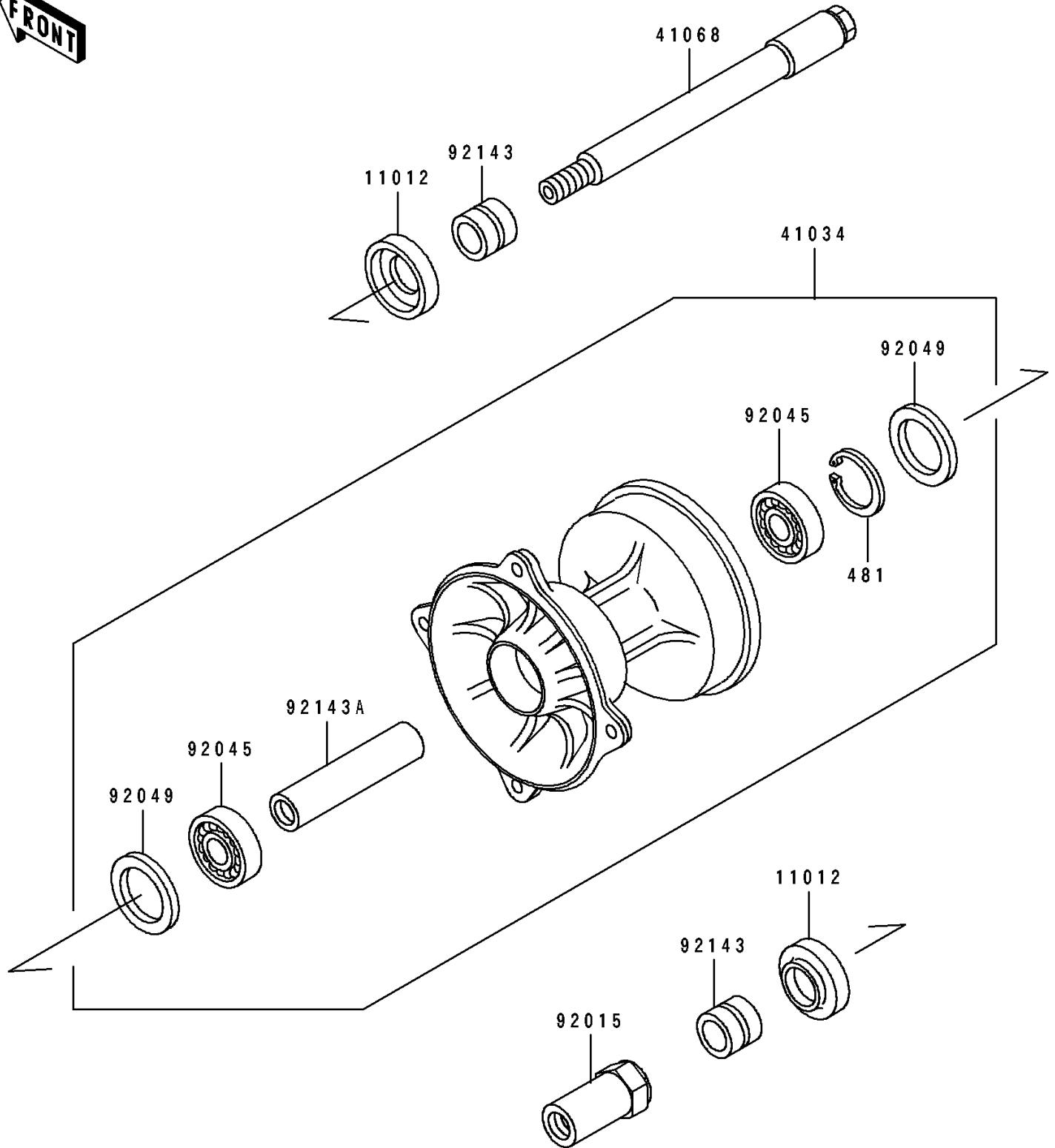


1990 KX™125 PARTS DIAGRAM

Front Hub

F2230



1990 KX™125 PARTS LIST

Front Hub

ITEM NAME	PART NUMBER	QUANTITY
CAP,FRONT AXLE (Ref # 11012)	11012-1580	1
DRUM-ASSY,FRONT BRAKE (Ref # 41034)	41034-1204	1
AXLE,FR (Ref # 41068)	41068-1310	1
NUT,AXLE (Ref # 92015)	92015-1815	1
BEARING-BALL,6203LLX7V2 (Ref # 92045)	92045-1238	1
SEAL-OIL,BSNC2 22404 (Ref # 92049)	92049-1204	1
COLLAR,FR AXLE,L=18 (Ref # 92143)	92143-1297	1
COLLAR,FR BRAKE DRUM,L=68 (Ref # 92143A)	92143-1401	1
CIRCLIP-TYPE-C,40MM (Ref # 481)	481J4000	1