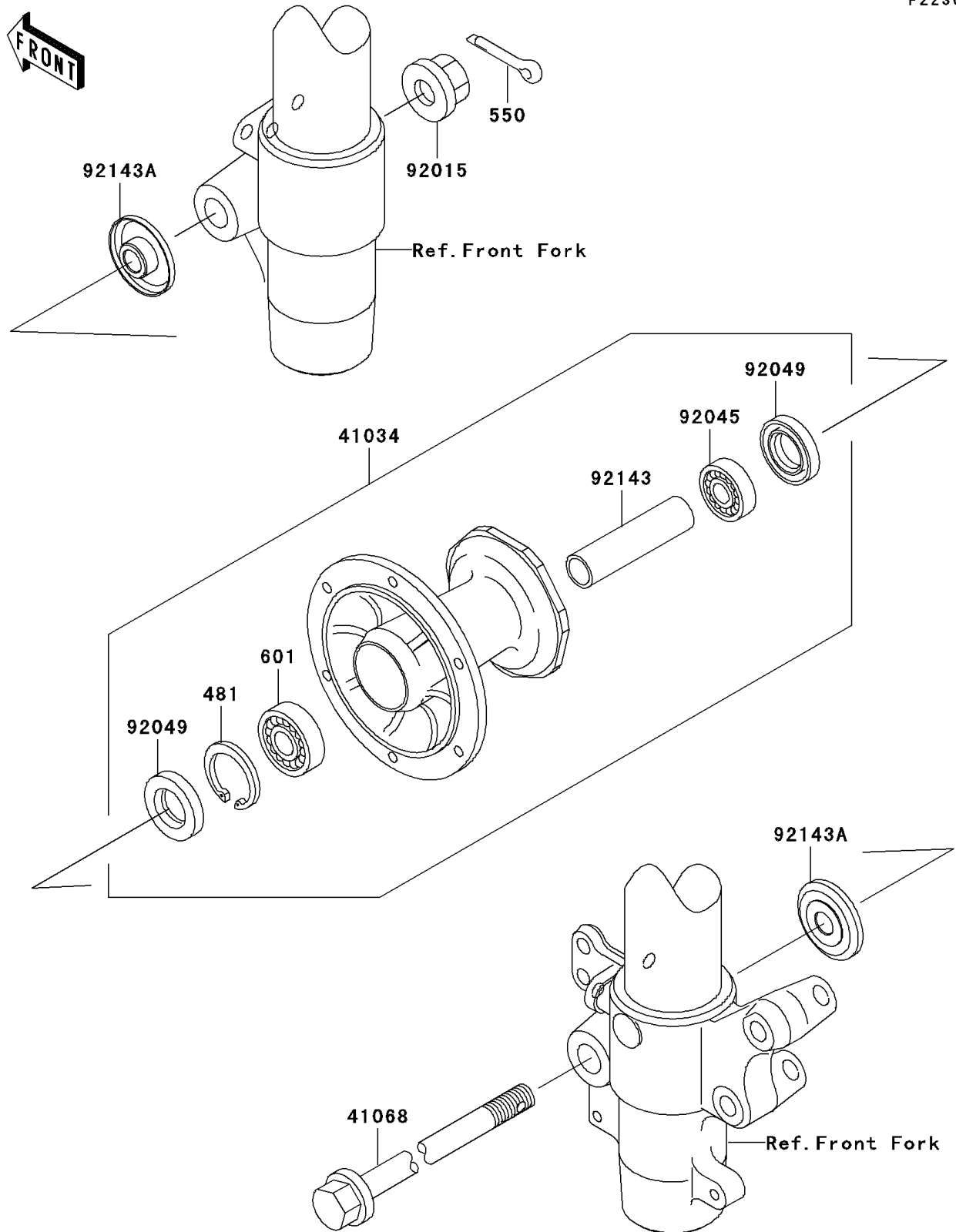


2001 KX™100 PARTS DIAGRAM

Front Hub

F2230



2001 KX™100 PARTS LIST

Front Hub

| ITEM NAME | PART NUMBER | QUANTITY |
|---|-------------|----------|
| CIRCLIP-TYPE-C,37MM (Ref # 481) | 481J3700 | 1 |
| PIN-COTTER,2.5X20 (Ref # 550) | 550D2520 | 1 |
| BEARING-BALL,#6201UUC3 (Ref # 601) | 601B6301UU | 1 |
| DRUM-ASSY,FRONT BRAKE (Ref # 41034) | 41034-1310 | 1 |
| AXLE,FR (Ref # 41068) | 41068-1333 | 1 |
| NUT,FLANGED,12MM (Ref # 92015) | 92015-1433 | 1 |
| BEARING-BALL,TMB201LLUC3/2A (Ref # 92045) | 92045-1062 | 1 |
| SEAL-OIL,TC20376.5 (Ref # 92049) | 92049-1257 | 1 |
| COLLAR,FR BRAKE DRUM,L=76 (Ref # 92143) | 92143-1935 | 1 |
| COLLAR,FR AXLE,L=12 (Ref # 92143A) | 92143-1936 | 1 |