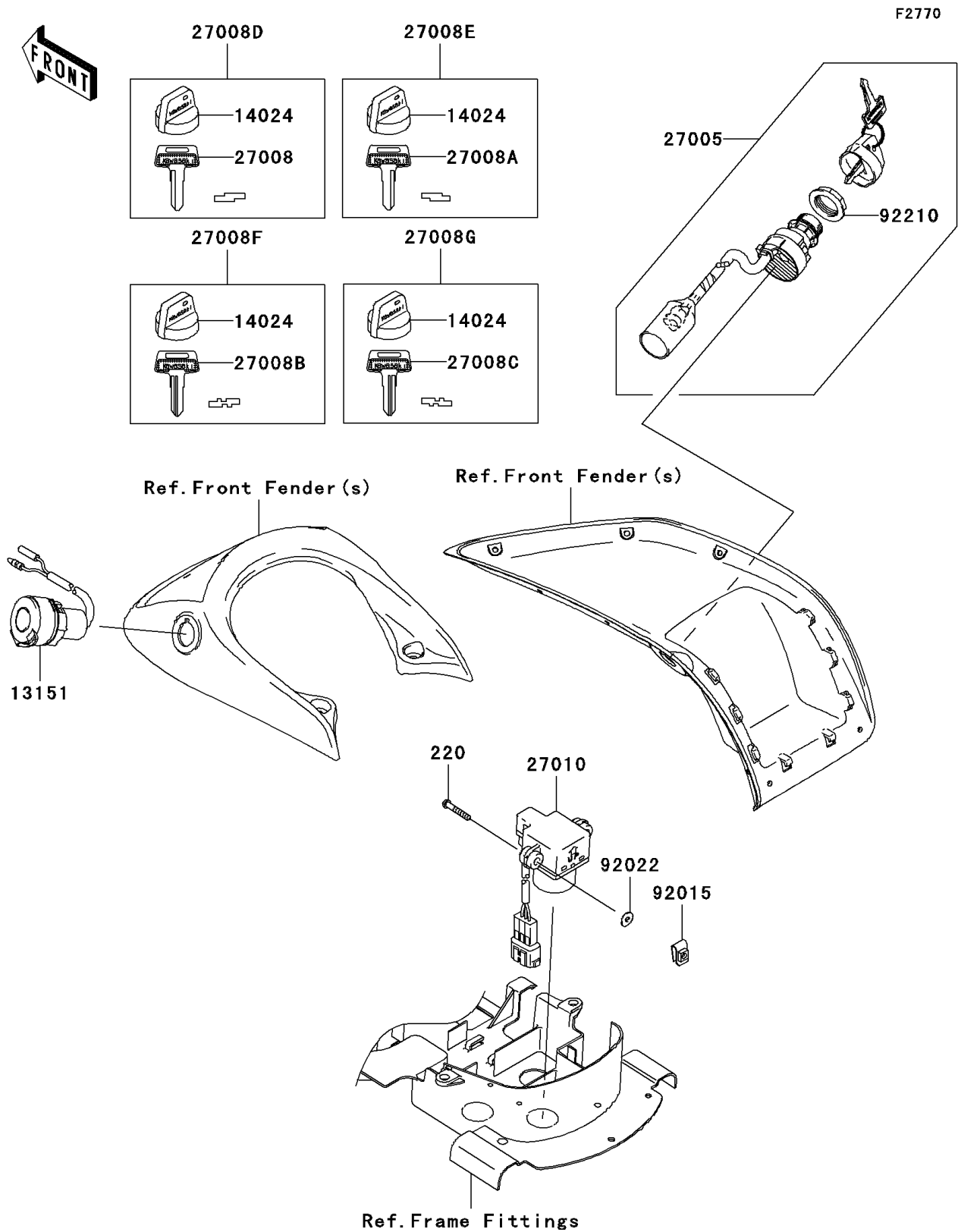


2005 Brute Force® 750 4x4i Realtree Hardwoods Green® HD™ PARTS DIAGRAM

Ignition Switch



2005 Brute Force® 750 4x4i Realtree Hardwoods Green® HD™ PARTS LIST

Ignition Switch

ITEM NAME	PART NUMBER	QUANTITY
SCREW-PAN-CROS,4X25 (Ref # 220)	220B0425	1
SWITCH-COMP,D.C.TERMINAL (Ref # 13151)	13151-0003	1
COVER,KEY (Ref # 14024)	14024-1551	1
SWITCH-ASSY-IGNITION (Ref # 27005)	27005-0019	1
KEY-LOCK,BLANK (Ref # 27008)	27008-1041	1
KEY-LOCK,BLANK (Ref # 27008A)	27008-1042	1
KEY-LOCK,BLANK (Ref # 27008B)	27008-1043	1
KEY-LOCK,BLANK (Ref # 27008C)	27008-1044	1
KEY-LOCK,BLANK,W/COVER (Ref # 27008D)	27008-1132	1
KEY-LOCK,BLANK,W/COVER (Ref # 27008E)	27008-1133	1
KEY-LOCK,BLANK,W/COVER (Ref # 27008F)	27008-1134	1
KEY-LOCK,BLANK,W/COVER (Ref # 27008G)	27008-1135	1
SWITCH,INVERT SENSOR (Ref # 27010)	27010-1421	1
NUT,4MM (Ref # 92015)	92015-1567	1
WASHER,4.3X12.5X1 (Ref # 92022)	92022-1888	1
NUT,IGNITION SWITCH (Ref # 92210)	92210-1109	1