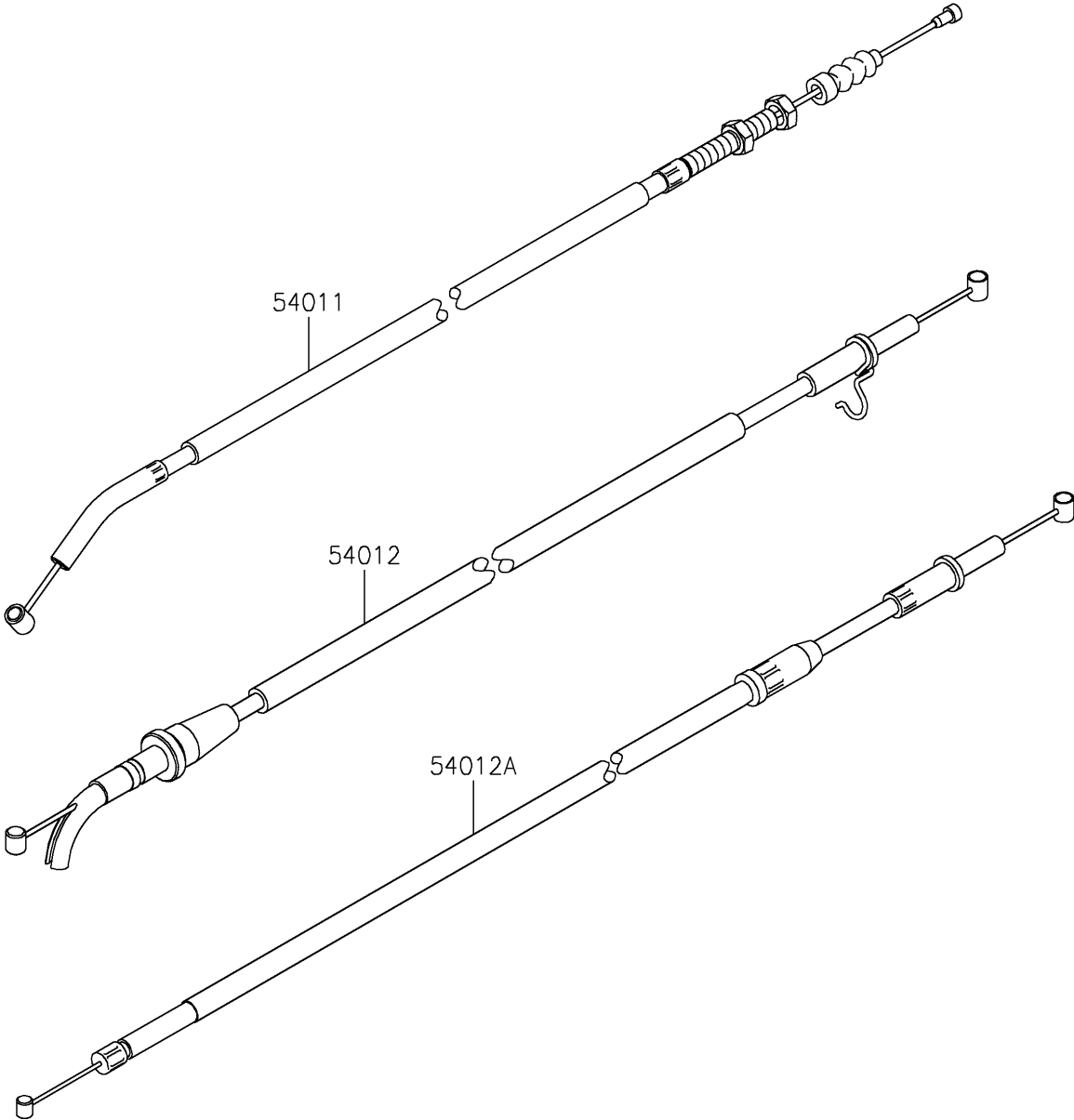


2019 Z400 ABS PARTS DIAGRAM

Cables

F2540



2019 Z400 ABS PARTS LIST

Cables

ITEM NAME	PART NUMBER	QUANTITY
CABLE-CLUTCH (Ref # 54011)	54011-0640	1
CABLE-THROTTLE,OPEN (Ref # 54012)	54012-0672	1
CABLE-THROTTLE,CLOSE (Ref # 54012A)	54012-0673	1