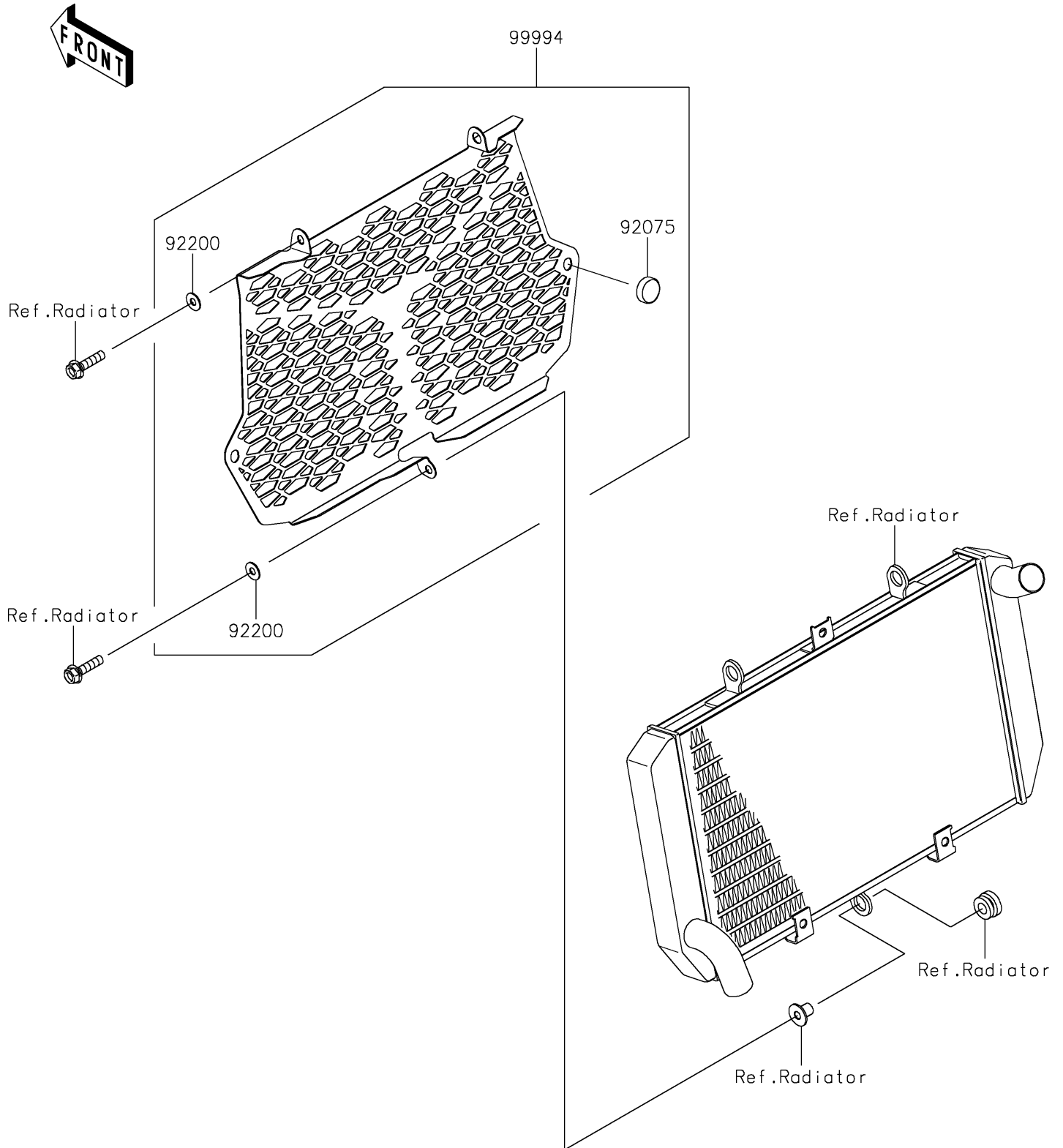


## 2019 PARTS DIAGRAM

Accessory(Radiator Trim)

F2910



## 2019 PARTS LIST

Accessory(Radiator Trim)

ITEM NAME	PART NUMBER	QUANTITY
DAMPER (Ref # 92075)	92075-005	1
WASHER,6.5X16X1.0 (Ref # 92200)	92200-3712	1
RADIATOR TRIM (Ref # 99994)	99994-1142	1