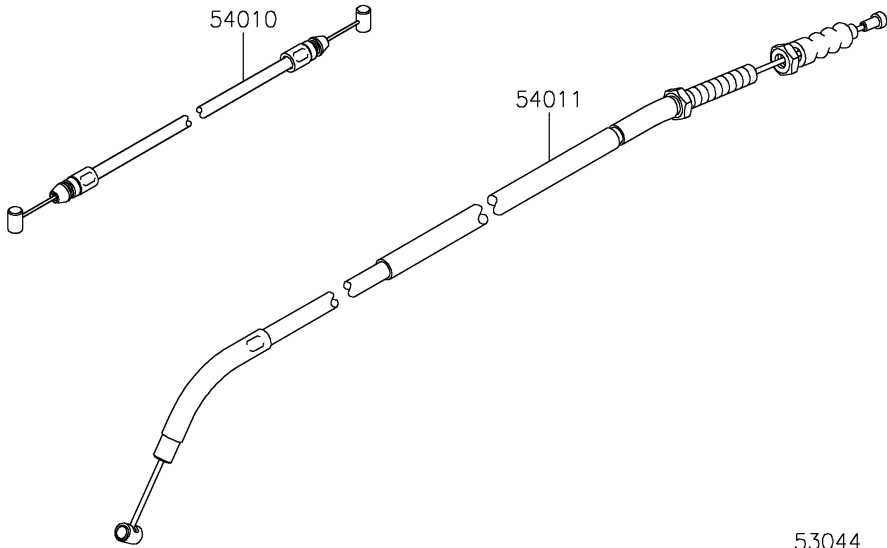


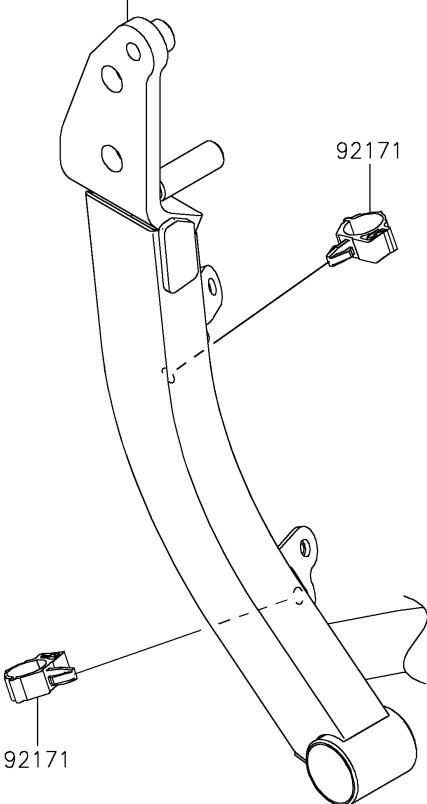
2019 PARTS DIAGRAM

Cables

F2540



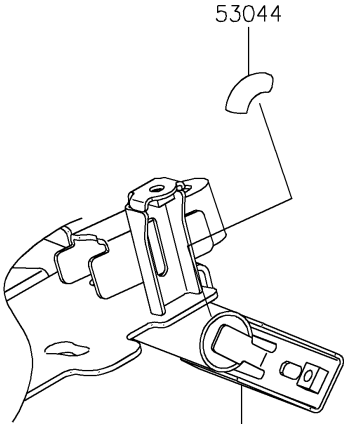
Ref.Engine Mount



92171

92171

53044



Ref. Frame

2019 PARTS LIST

Cables

ITEM NAME	PART NUMBER	QUANTITY
TRIM,L=20 (Ref # 53044)	53044-0021	1
CABLE,SEAT LOCK (Ref # 54010)	54010-0029	1
CABLE-CLUTCH (Ref # 54011)	54011-0594	1
CLAMP,BRAKE HOSE (Ref # 92171)	92171-0316	1