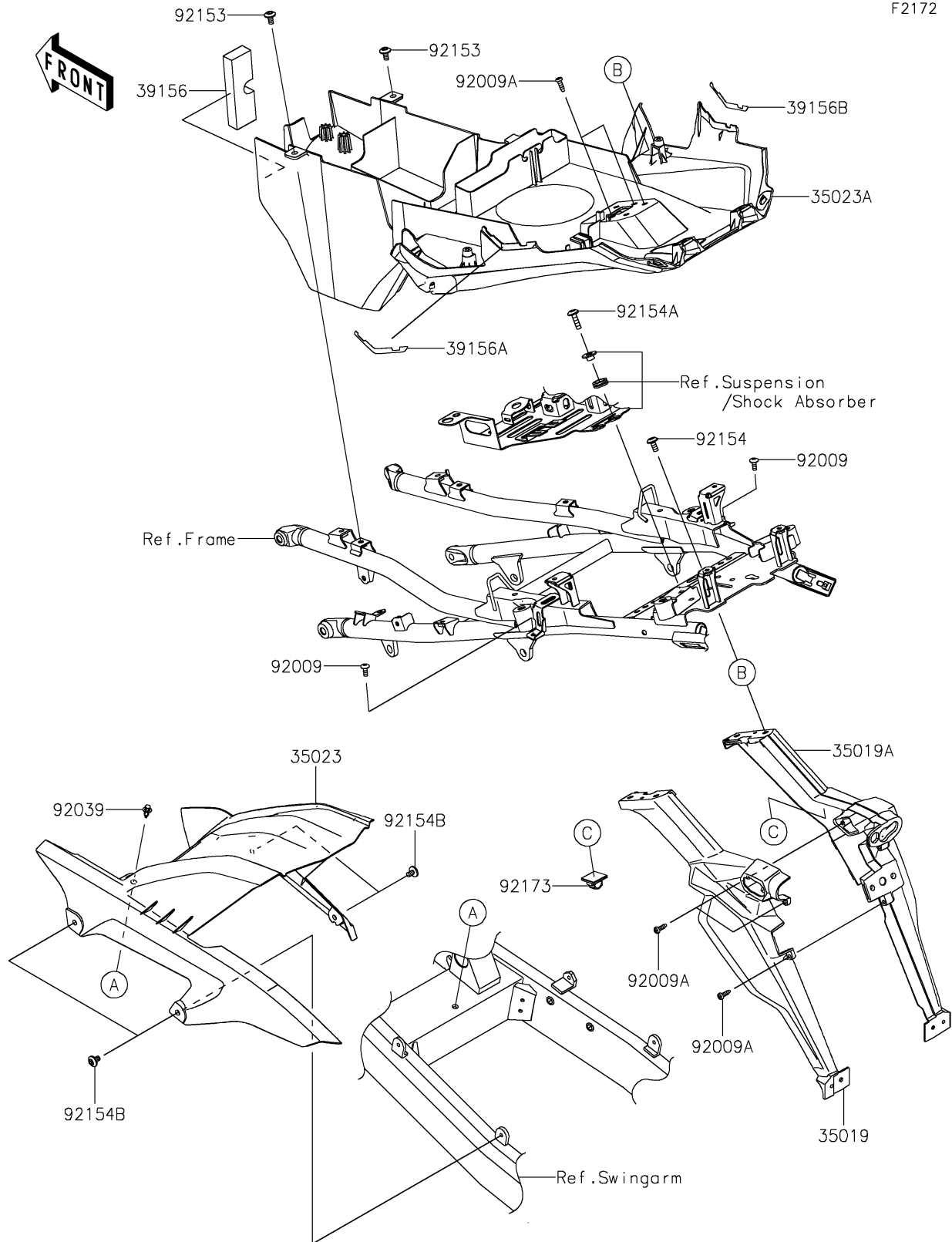


2019 PARTS DIAGRAM

Rear Fender(s)

F2172



2019 PARTS LIST

Rear Fender(s)

ITEM NAME	PART NUMBER	QUANTITY
FLAP,LH (Ref # 35019)	35019-0643	1
FLAP,RH (Ref # 35019A)	35019-0644	1
FENDER-REAR,INNER (Ref # 35023)	35023-0449	1
FENDER-REAR (Ref # 35023A)	35023-0462	1
PAD (Ref # 39156)	39156-2422	1
PAD (Ref # 39156A)	39156-2437	1
PAD (Ref # 39156B)	39156-2450	1
SCREW,TAPPING,5X14 (Ref # 92009)	92009-1197	1
SCREW,TAPPING,5X16 (Ref # 92009A)	92009-1984	1
RIVET (Ref # 92039)	92039-0086	1
BOLT,SOCKET,6X12 (Ref # 92153)	92153-1948	1
BOLT,SOCKET,6X14 (Ref # 92154)	92154-0745	1
BOLT,SOCKET,6X22 (Ref # 92154A)	92154-0787	1
BOLT,SOCKET,6X10 (Ref # 92154B)	92154-4006	1
CLAMP,DRAIN (Ref # 92173)	92173-1055	1