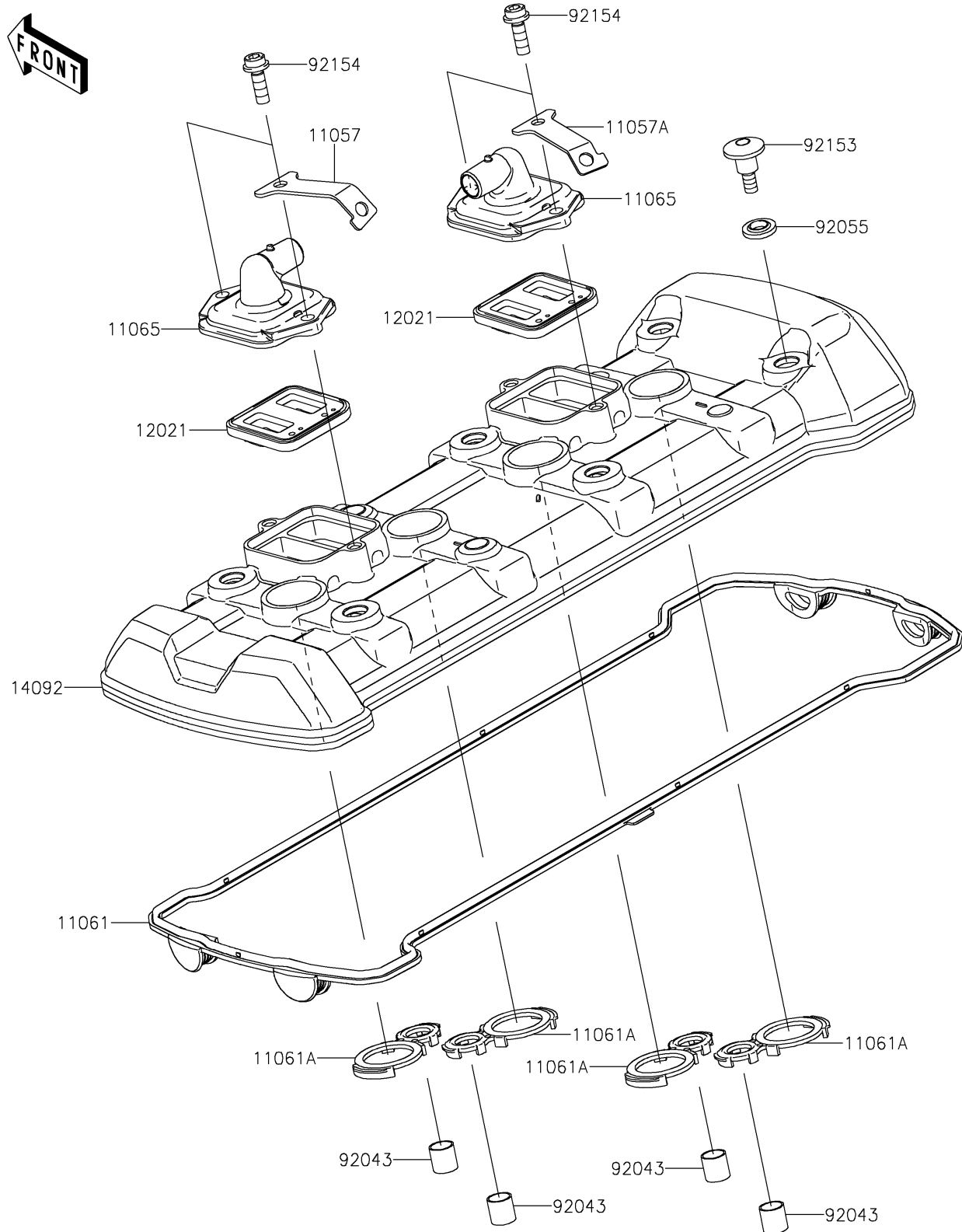


## 2019 PARTS DIAGRAM

Cylinder Head Cover

E1112



## 2019 PARTS LIST

Cylinder Head Cover

ITEM NAME	PART NUMBER	QUANTITY
BRACKET,LH (Ref # 11057)	11057-1712	1
BRACKET,RH (Ref # 11057A)	11057-1713	1
GASKET,HEAD COVER (Ref # 11061)	11061-0914	1
GASKET,SPARK PLUG (Ref # 11061A)	11061-1213	1
CAP,HEAD COVER (Ref # 11065)	11065-0328	1
VALVE-ASSY-REED (Ref # 12021)	12021-0016	1
COVER,HEAD (Ref # 14092)	14092-0831	1
PIN,10.1X12X14 (Ref # 92043)	92043-4009	1
RING-O (Ref # 92055)	92055-0785	1
BOLT,SOCKET,6X22.5 (Ref # 92153)	92153-1779	1
BOLT,SOCKET,6X18 (Ref # 92154)	92154-0351	1