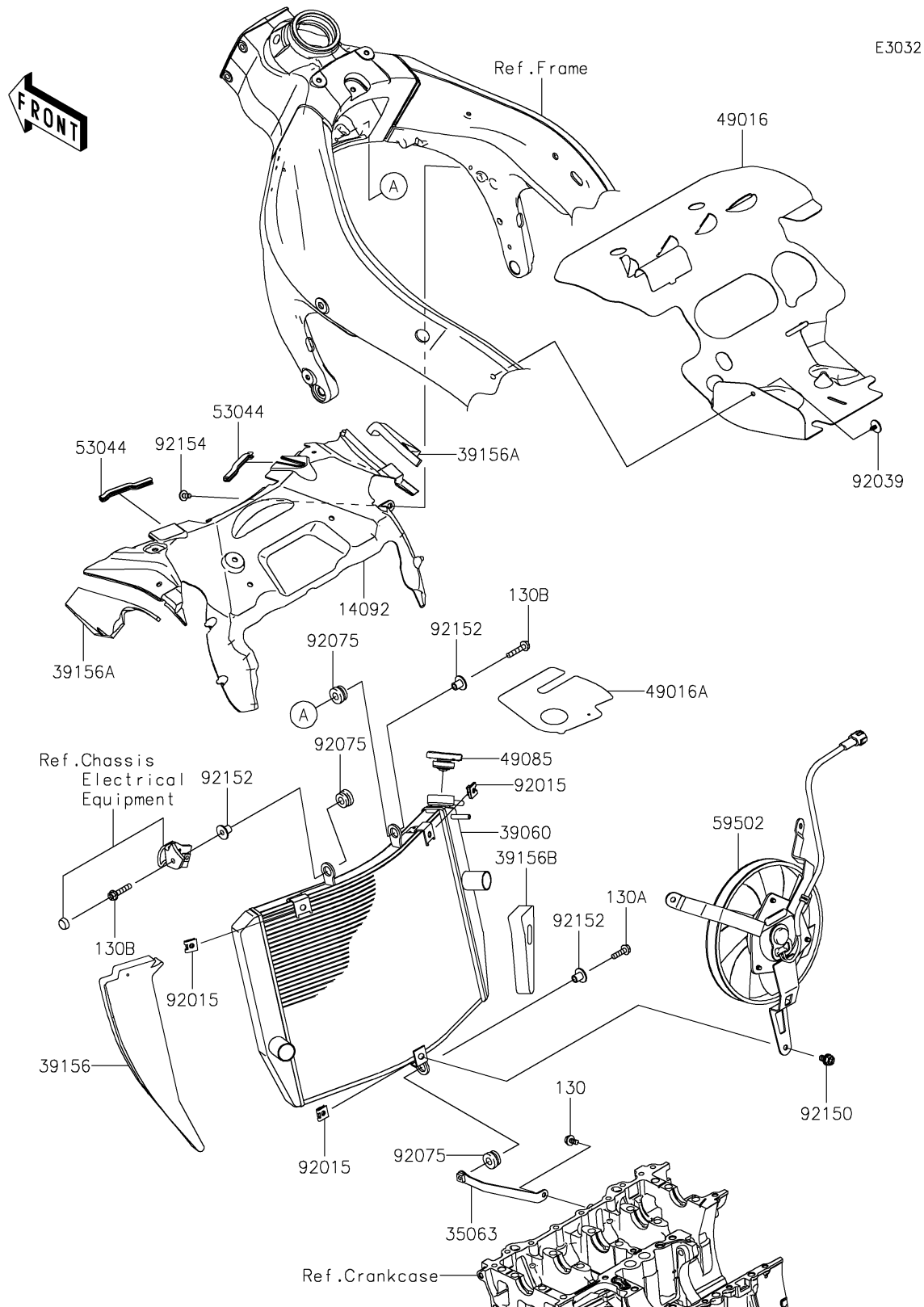


2019 NINJA® ZX™-6R ABS PARTS DIAGRAM

Radiator



2019 NINJA® ZX™-6R ABS PARTS LIST

Radiator

ITEM NAME	PART NUMBER	QUANTITY
BOLT-FLANGED,6X14 (Ref # 130)	130CA0614	1
BOLT-FLANGED,6X22 (Ref # 130A)	130CA0622	1
BOLT-FLANGED,6X30 (Ref # 130B)	130CA0630	1
COVER,RADIATOR UPP (Ref # 14092)	14092-1089	1
STAY,RADIATOR LOW (Ref # 35063)	35063-0899	1
RADIATOR (Ref # 39060)	39060-0708	1
PAD,RADIATOR LH (Ref # 39156)	39156-2332	1
PAD,RADIATOR-COVER SIDE(R/L) (Ref # 39156A)	39156-2427	1
PAD,RADIATOR RH (Ref # 39156B)	39156-2453	1
COVER-SEAL,ENGINE RR (Ref # 49016)	49016-0604	1
COVER-SEAL,RESERVOIR UPPER (Ref # 49016A)	49016-0664	1
CAP-ASSY-PRESSURE (Ref # 49085)	49085-1078	1
TRIM (Ref # 53044)	53044-0018	1
FAN-ASSY (Ref # 59502)	59502-0623	1
NUT (Ref # 92015)	92015-1487	1
RIVET (Ref # 92039)	92039-0065	1
DAMPER,RUBBER (Ref # 92075)	92075-1123	1
BOLT,6X12 (Ref # 92150)	92150-1186	1
COLLAR (Ref # 92152)	92152-0666	1
BOLT,6X12 (Ref # 92154)	92154-1892	1