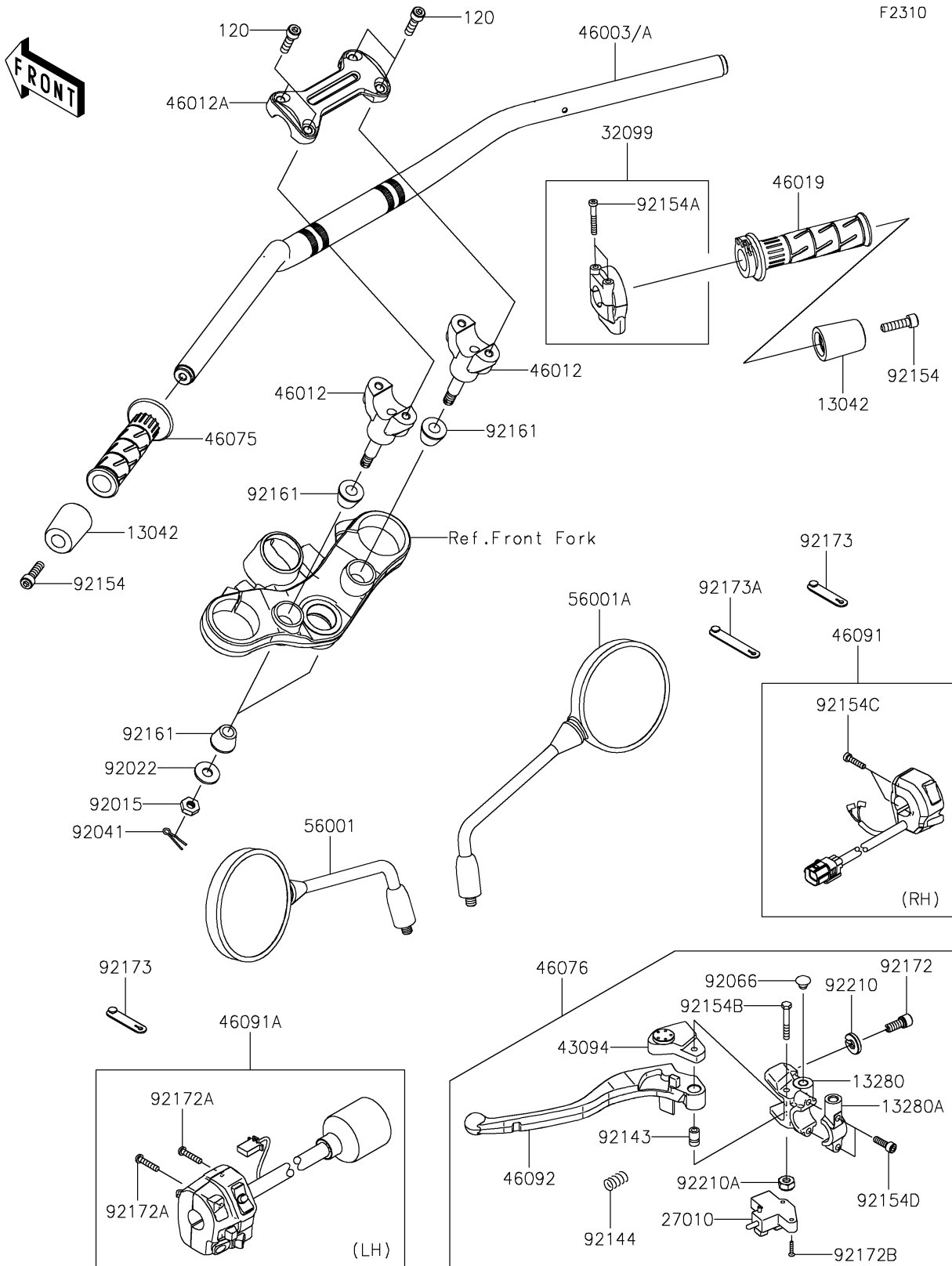


2019 PARTS DIAGRAM

Handlebar



2019 PARTS LIST

Handlebar

ITEM NAME	PART NUMBER	QUANTITY
BOLT-SOCKET,8X30 (Ref # 120)	120CC0830	1
WEIGHT,HANDLE (Ref # 13042)	13042-5007	1
HOLDER,CLUTCH LEVER (Ref # 13280)	13280-0248	1
HOLDER,CLUTCH LEVER (Ref # 13280A)	13280-0772	1
SWITCH,CLUTCH (Ref # 27010)	27010-0854	1
CASE,THROTTLE (Ref # 32099)	32099-0767	1
ADJUSTER (Ref # 43094)	43094-0008	1
HANDLE (Ref # 46003)	46003-0687	1
HOLDER-HANDLE,LWR,F.S.BLACK (Ref # 46012)	46012-0381-18R	1
HOLDER-HANDLE,UPP,F.S.BLACK (Ref # 46012A)	46012-0382-18R	1
GRIP-ASSY,THROTTLE (Ref # 46019)	46019-0001	1
GRIP,HANDLE,LH (Ref # 46075)	46075-1144	1
LEVER-ASSY-GRIP (Ref # 46076)	46076-0139	1
HOUSING-ASSY-CONTROL,RH (Ref # 46091)	46091-0423	1
HOUSING-ASSY-CONTROL,LH (Ref # 46091A)	46091-0424	1
LEVER-GRIP (Ref # 46092)	46092-0570	1
MIRROR-ASSY,LH,CCC (Ref # 56001)	56001-0403	1
MIRROR-ASSY,RH,CCC (Ref # 56001A)	56001-0404	1
NUT,LOCK,10MM (Ref # 92015)	92015-1962	1
WASHER,10.5X26X2.3,BLACK (Ref # 92022)	92022-1396	1
COTTER,8MM (Ref # 92041)	92041-1060	1
PLUG,9.5X8,POLYETHYLENE (Ref # 92066)	92066-1077	1
COLLAR (Ref # 92143)	92143-1379	1
SPRING (Ref # 92144)	92144-1467	1
BOLT,SOCKET,8X30 (Ref # 92154)	92154-0502	1
BOLT,SOCKET,5X35 (Ref # 92154A)	92154-1530	1
BOLT (Ref # 92154B)	92154-2318	1
BOLT,5X22 (Ref # 92154C)	92154-2483	1
BOLT,SOCKET,6X20 (Ref # 92154D)	92154-2644	1

2019 PARTS LIST

Handlebar

ITEM NAME	PART NUMBER	QUANTITY
DAMPER,HANDLE HOLDER (Ref # 92161)	92161-0113	1
SCREW (Ref # 92172)	92172-1138	1
SCREW-PAN-CROS,5X25 (Ref # 92172A)	92172-1140	1
SCREW,3X16 (Ref # 92172B)	92172-1185	1
CLAMP,RUBBER PLATE (Ref # 92173)	92173-1229	1
CLAMP (Ref # 92173A)	92173-1526	1
NUT (Ref # 92210)	92210-1519	1
NUT,LOCK,6MM (Ref # 92210A)	92210-1544	1