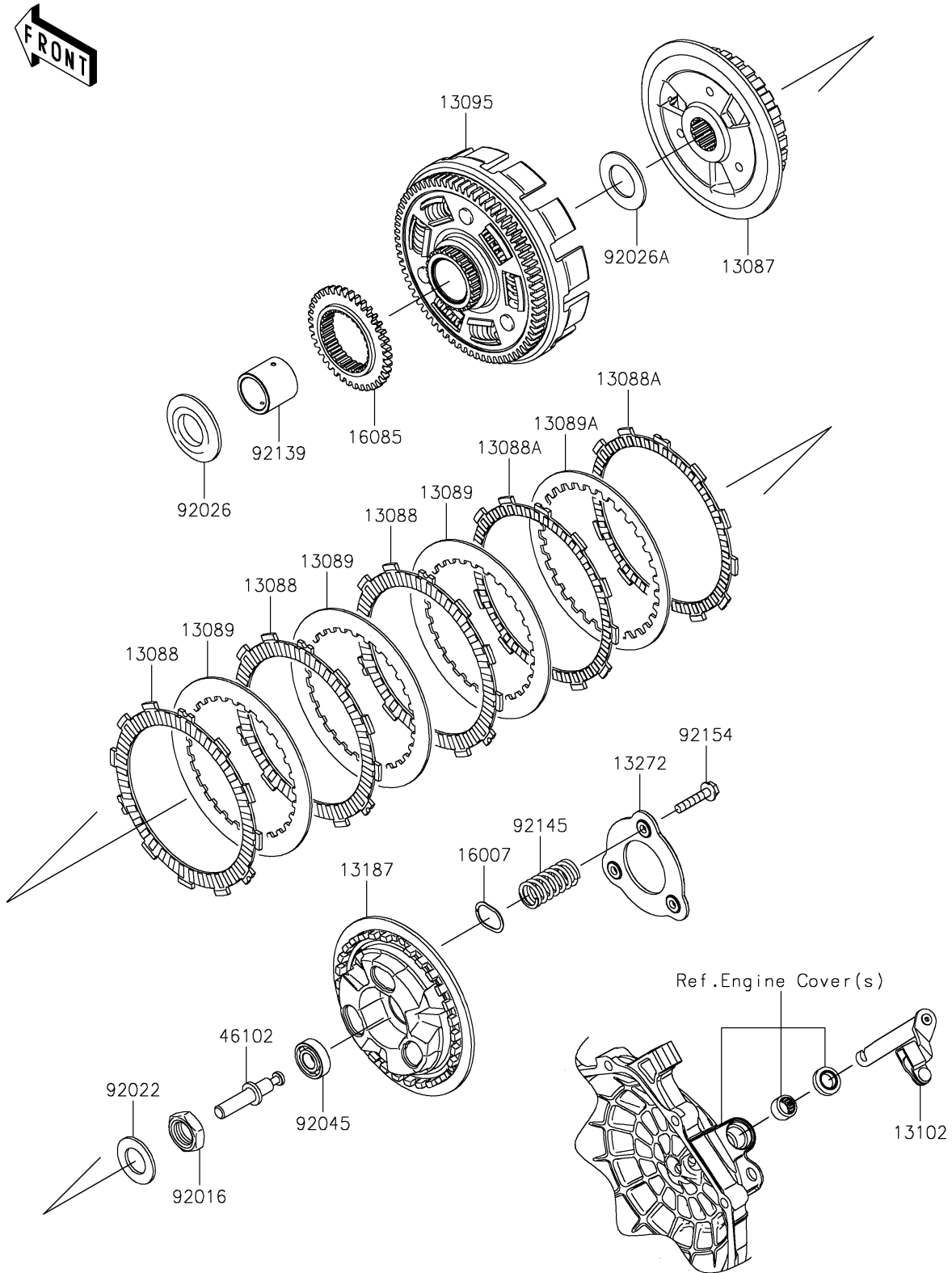


2017 PARTS DIAGRAM

Clutch

E1350



2017 PARTS LIST

Clutch

| ITEM NAME | PART NUMBER | QUANTITY |
|--------------------------------------|-------------|----------|
| HUB-CLUTCH (Ref # 13087) | 13087-0558 | 1 |
| PLATE-FRICTION (Ref # 13088) | 13088-0590 | 1 |
| PLATE-FRICTION (Ref # 13088A) | 13088-0591 | 1 |
| PLATE-CLUTCH,T=2.0 (Ref # 13089) | 13089-0021 | 1 |
| PLATE-CLUTCH (Ref # 13089A) | 13089-0558 | 1 |
| HOUSING-COMP-CLUTCH (Ref # 13095) | 13095-0561 | 1 |
| RELEASE-COMP-CLUTCH (Ref # 13102) | 13102-0073 | 1 |
| PLATE-CLUTCH OPERATING (Ref # 13187) | 13187-0553 | 1 |
| PLATE (Ref # 13272) | 13272-1303 | 1 |
| SEAT-SPRING (Ref # 16007) | 16007-0708 | 1 |
| GEAR,OILPUMP DRIVE,38T (Ref # 16085) | 16085-0133 | 1 |
| ROD (Ref # 46102) | 46102-0573 | 1 |
| NUT,20MM (Ref # 92016) | 92016-028 | 1 |
| WASHER,20.3X36X2.3 (Ref # 92022) | 92022-1116 | 1 |
| SPACER,25X52X5.5 (Ref # 92026) | 92026-0115 | 1 |
| SPACER,25.5X44.5X2 (Ref # 92026A) | 92026-0734 | 1 |
| BEARING-BALL (Ref # 92045) | 92045-0067 | 1 |
| BUSHING,25X32X29.1 (Ref # 92139) | 92139-0916 | 1 |
| SPRING (Ref # 92145) | 92145-1750 | 1 |
| BOLT,UPSET,6X30 (Ref # 92154) | 92154-0997 | 1 |