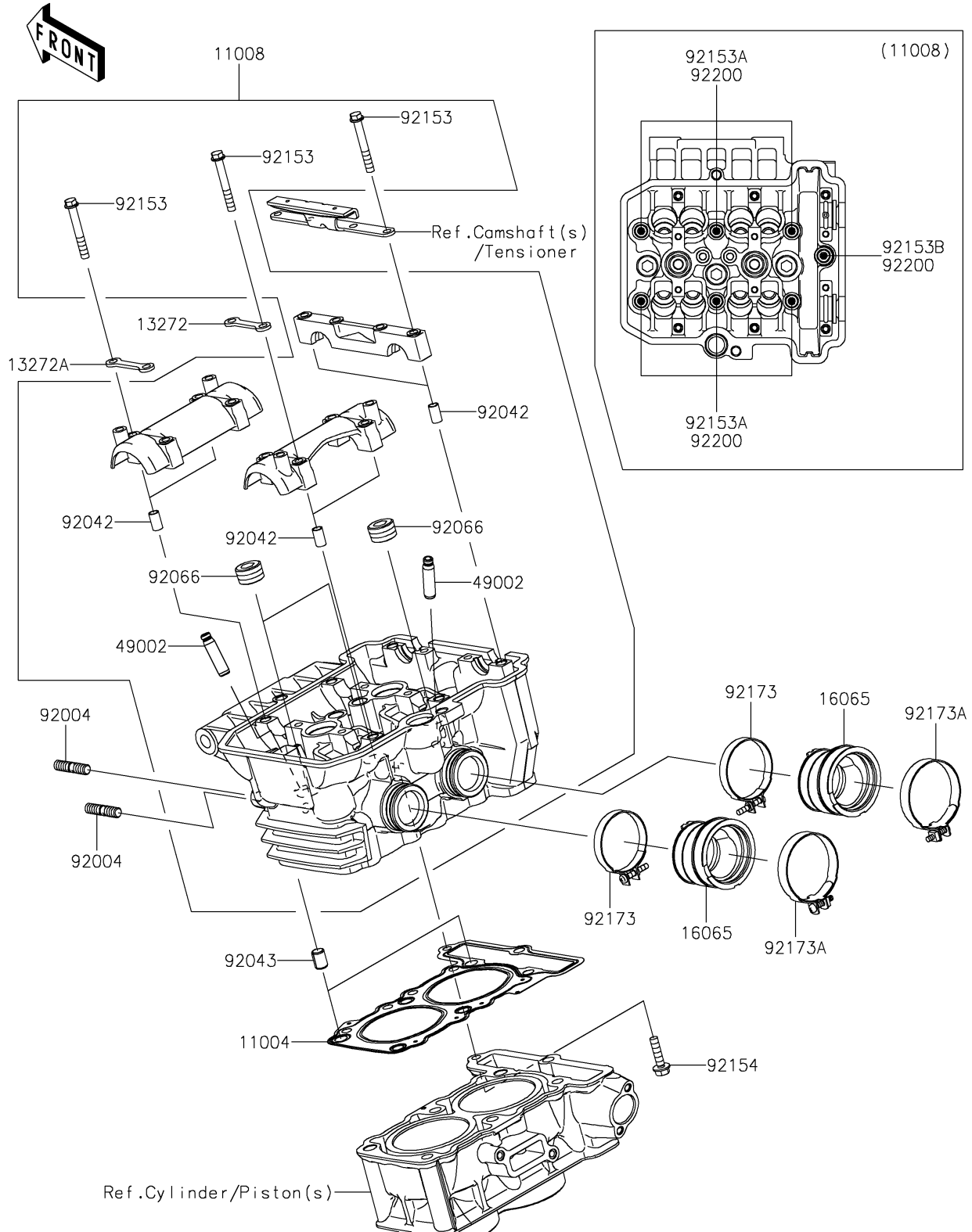


## 2017 PARTS DIAGRAM

Cylinder Head

E1111



## 2017 PARTS LIST

### Cylinder Head

| ITEM NAME                        | PART NUMBER | QUANTITY |
|----------------------------------|-------------|----------|
| GASKET-HEAD (Ref # 11004)        | 11004-0734  | 1        |
| HEAD-COMP-CYLINDER (Ref # 11008) | 11008-0747  | 1        |
| PLATE,IN (Ref # 13272)           | 13272-0260  | 1        |
| PLATE,EX (Ref # 13272A)          | 13272-0261  | 1        |
| HOLDER-CARBURETOR (Ref # 16065)  | 16065-0119  | 1        |
| GUIDE-VALVE (Ref # 49002)        | 49002-0009  | 1        |
| STUD,8X22 (Ref # 92004)          | 92004-0040  | 1        |
| PIN,DOWEL,6.3X8X14 (Ref # 92042) | 92042-007   | 1        |
| PIN,8.2X10X14 (Ref # 92043)      | 92043-1264  | 1        |
| PLUG,PT1/2X12.5 (Ref # 92066)    | 92066-0002  | 1        |
| BOLT,6X45 (Ref # 92153)          | 92153-0339  | 1        |
| BOLT,SOCKET,8X146 (Ref # 92153A) | 92153-1774  | 1        |
| BOLT,SOCKET,8X115 (Ref # 92153B) | 92153-1775  | 1        |
| BOLT,FLANGED,6X25 (Ref # 92154)  | 92154-2556  | 1        |
| CLAMP,47MM (Ref # 92173)         | 92173-0919  | 1        |
| CLAMP,53MM (Ref # 92173A)        | 92173-0956  | 1        |
| WASHER,8.5X18X1.6 (Ref # 92200)  | 92200-0860  | 1        |