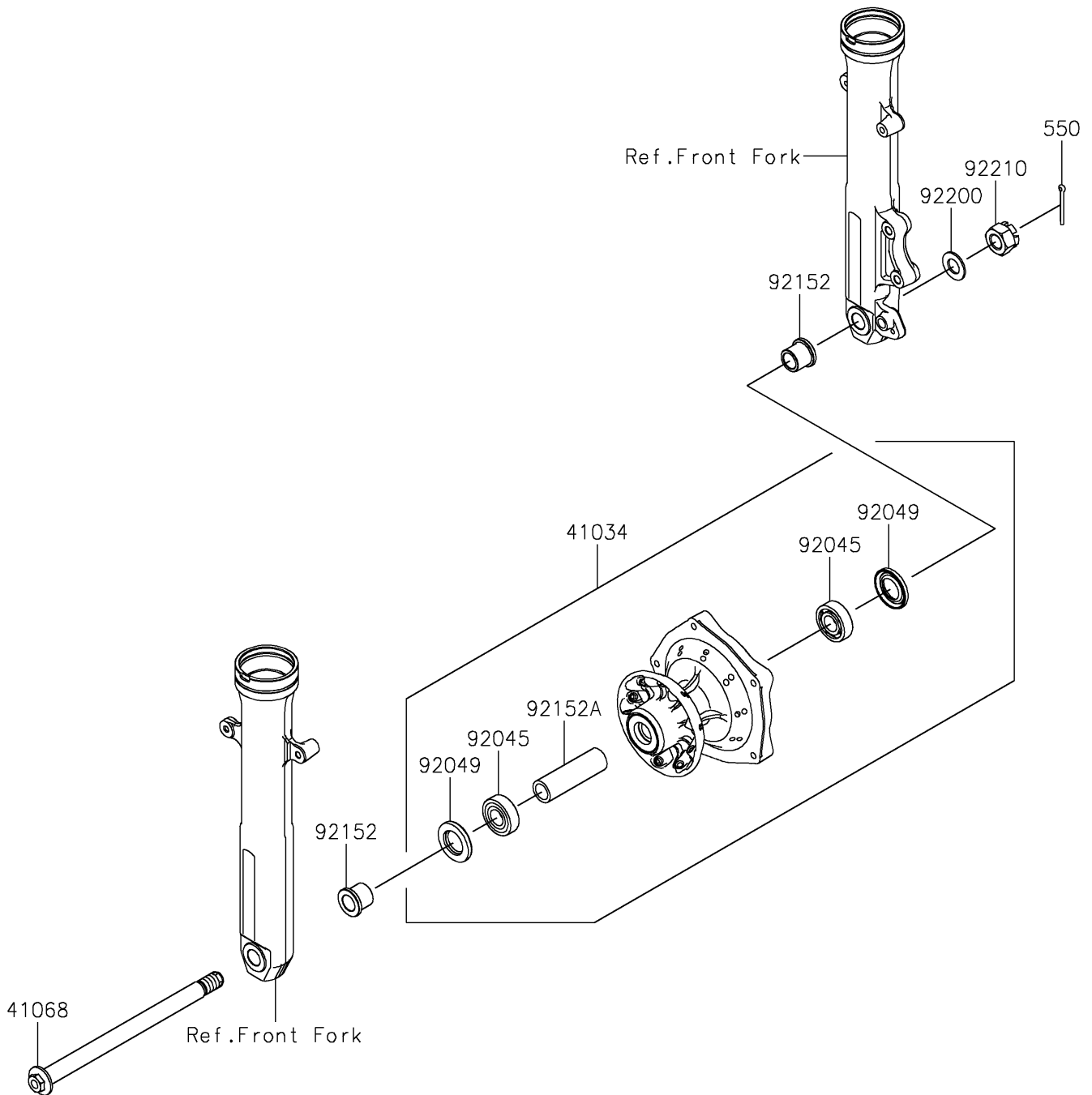


2017 PARTS DIAGRAM

Front Hub

F2230



2017 PARTS LIST

Front Hub

| ITEM NAME | PART NUMBER | QUANTITY |
|---|----------------|----------|
| DRUM-ASSY,FR BRAKE,P.SILVER (Ref # 41034) | 41034-0587-458 | 1 |
| AXLE,FR,17X249 (Ref # 41068) | 41068-0623 | 1 |
| PIN-COTTER,4.0X35 (Ref # 550) | 550AA4035 | 1 |
| BEARING-BALL,17X40X12 (Ref # 92045) | 92045-0732 | 1 |
| SEAL-OIL (Ref # 92049) | 92049-0794 | 1 |
| COLLAR,17X24X23 (Ref # 92152) | 92152-2290 | 1 |
| COLLAR (Ref # 92152A) | 92152-2291 | 1 |
| WASHER,16.2X30X2.0 (Ref # 92200) | 92200-1842 | 1 |
| NUT,CASTLE,16MM (Ref # 92210) | 92210-1171 | 1 |