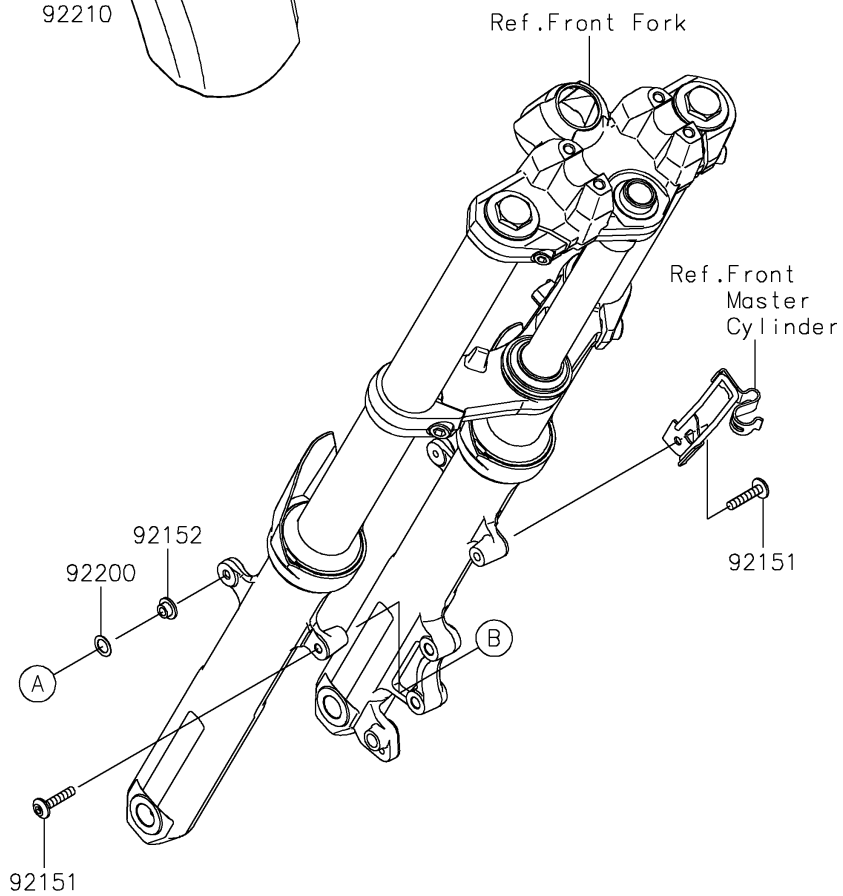
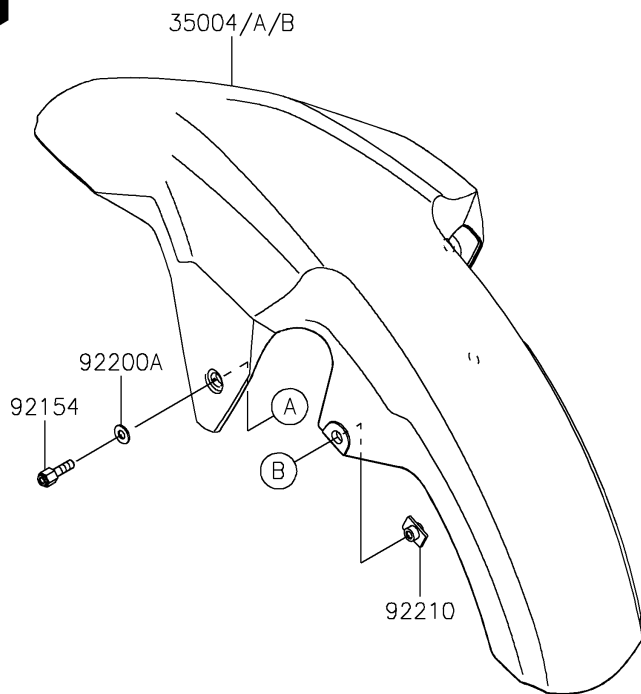


## 2017 PARTS DIAGRAM

Front Fender(s)

F2171



## 2017 PARTS LIST

Front Fender(s)

ITEM NAME	PART NUMBER	QUANTITY
FENDER-FRONT,F.EBONY (Ref # 35004)	35004-0363-45L	1
BOLT,SOCKET,6X30 (Ref # 92151)	92151-1605	1
COLLAR,6.2X16X6.6 (Ref # 92152)	92152-2348	1
BOLT,6X20 (Ref # 92154)	92154-2739	1
WASHER,10.4X15.9X0.5 (Ref # 92200)	92200-0157	1
WASHER,6.5X14X1.2 (Ref # 92200A)	92200-0964	1
NUT,6MM (Ref # 92210)	92210-1564	1