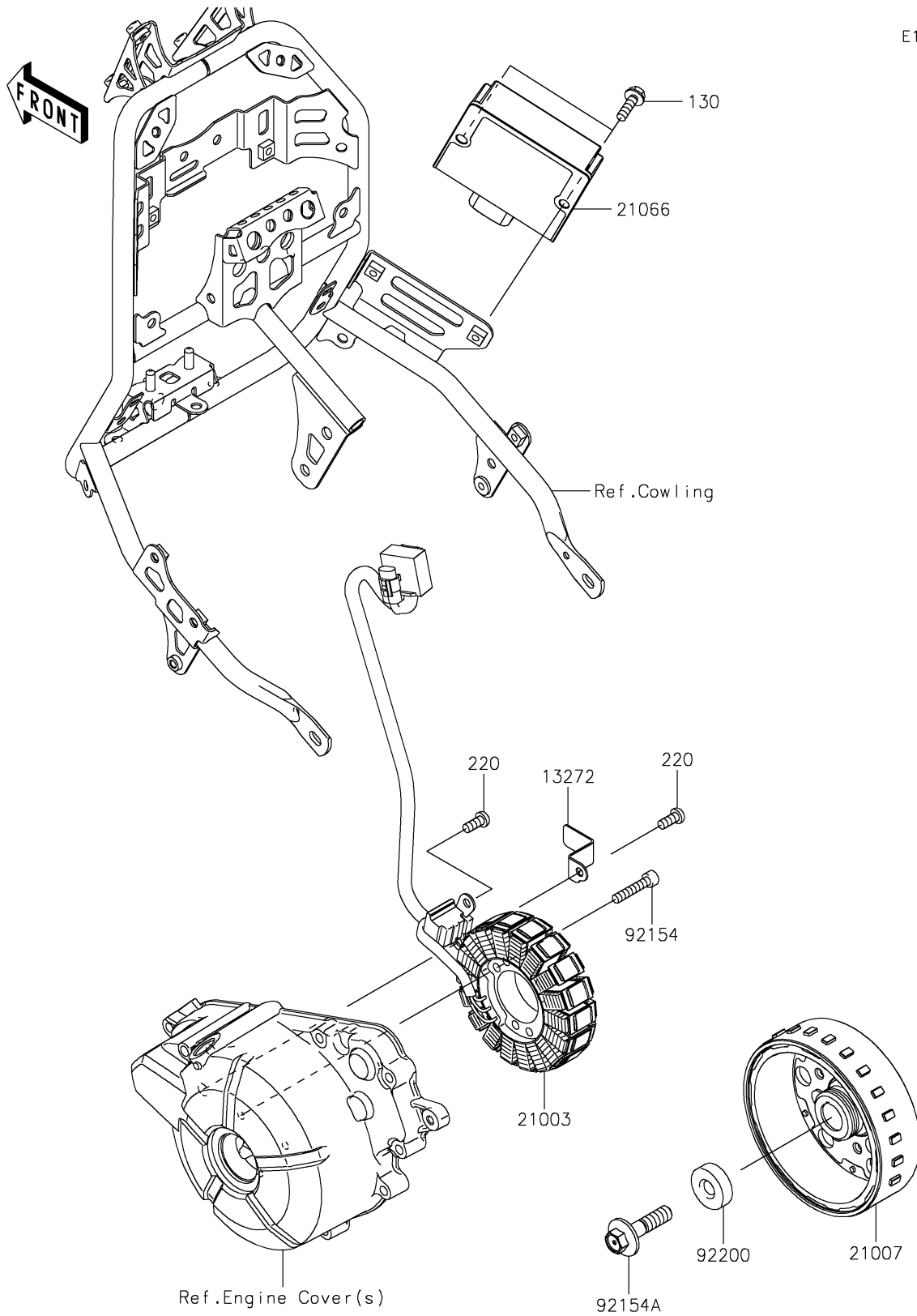


2017 PARTS DIAGRAM

Generator

E1810



2017 PARTS LIST

Generator

ITEM NAME	PART NUMBER	QUANTITY
BOLT-FLANGED,6X20 (Ref # 130)	130BA0620	1
PLATE (Ref # 13272)	13272-1257	1
STATOR (Ref # 21003)	21003-0175	1
ROTOR (Ref # 21007)	21007-0569	1
REGULATOR-VOLTAGE (Ref # 21066)	21066-0753	1
SCREW-PAN-CROS,6X14 (Ref # 220)	220AA0614	1
BOLT,SOCKET,6X30 (Ref # 92154)	92154-0962	1
BOLT,FLANGED,10X40 (Ref # 92154A)	92154-2341	1
WASHER,10X30X9 (Ref # 92200)	92200-0790	1