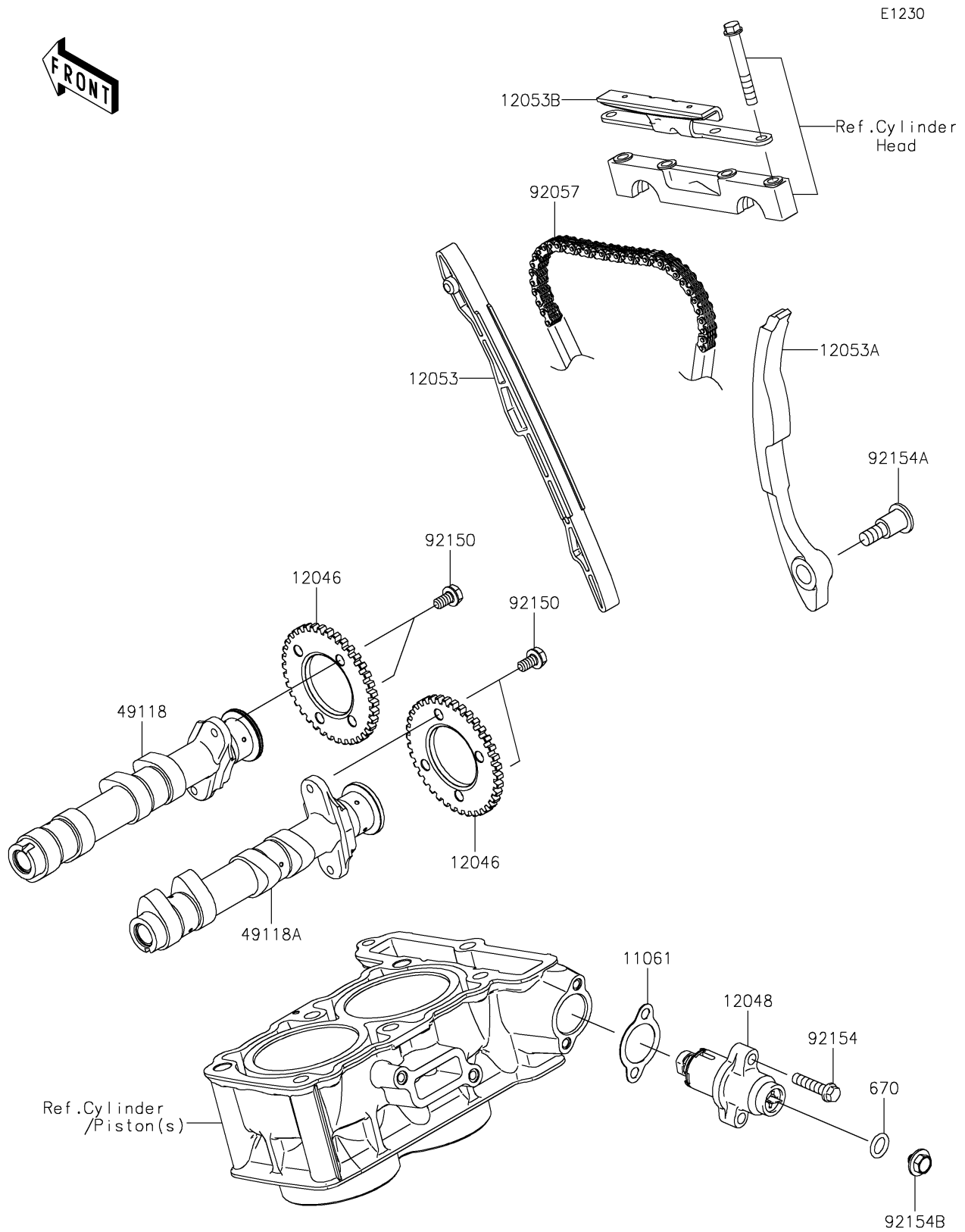


2017 PARTS DIAGRAM

Camshaft(s)/Tensioner



2017 PARTS LIST

Camshaft(s)/Tensioner

ITEM NAME	PART NUMBER	QUANTITY
GASKET (Ref # 11061)	11061-0792	1
SPROCKET,38T (Ref # 12046)	12046-0072	1
TENSIONER-ASSY (Ref # 12048)	12048-0084	1
GUIDE-CHAIN,FR (Ref # 12053)	12053-0102	1
GUIDE-CHAIN,RR (Ref # 12053A)	12053-0191	1
GUIDE-CHAIN,UPP (Ref # 12053B)	12053-0235	1
CAMSHAFT-COMP,EXHAUST (Ref # 49118)	49118-0743	1
CAMSHAFT-COMP,INTAKE (Ref # 49118A)	49118-0921	1
O RING,10MM (Ref # 670)	670D2010	1
CHAIN,CAM,92RH2010-124M (Ref # 92057)	92057-0595	1
BOLT,FLANGED,6X11 (Ref # 92150)	92150-1725	1
BOLT,FLANGED,6X25 (Ref # 92154)	92154-0819	1
BOLT,SOCKET,8X29.2 (Ref # 92154A)	92154-0953	1
BOLT,FLANGED,6X6 (Ref # 92154B)	92154-2352	1