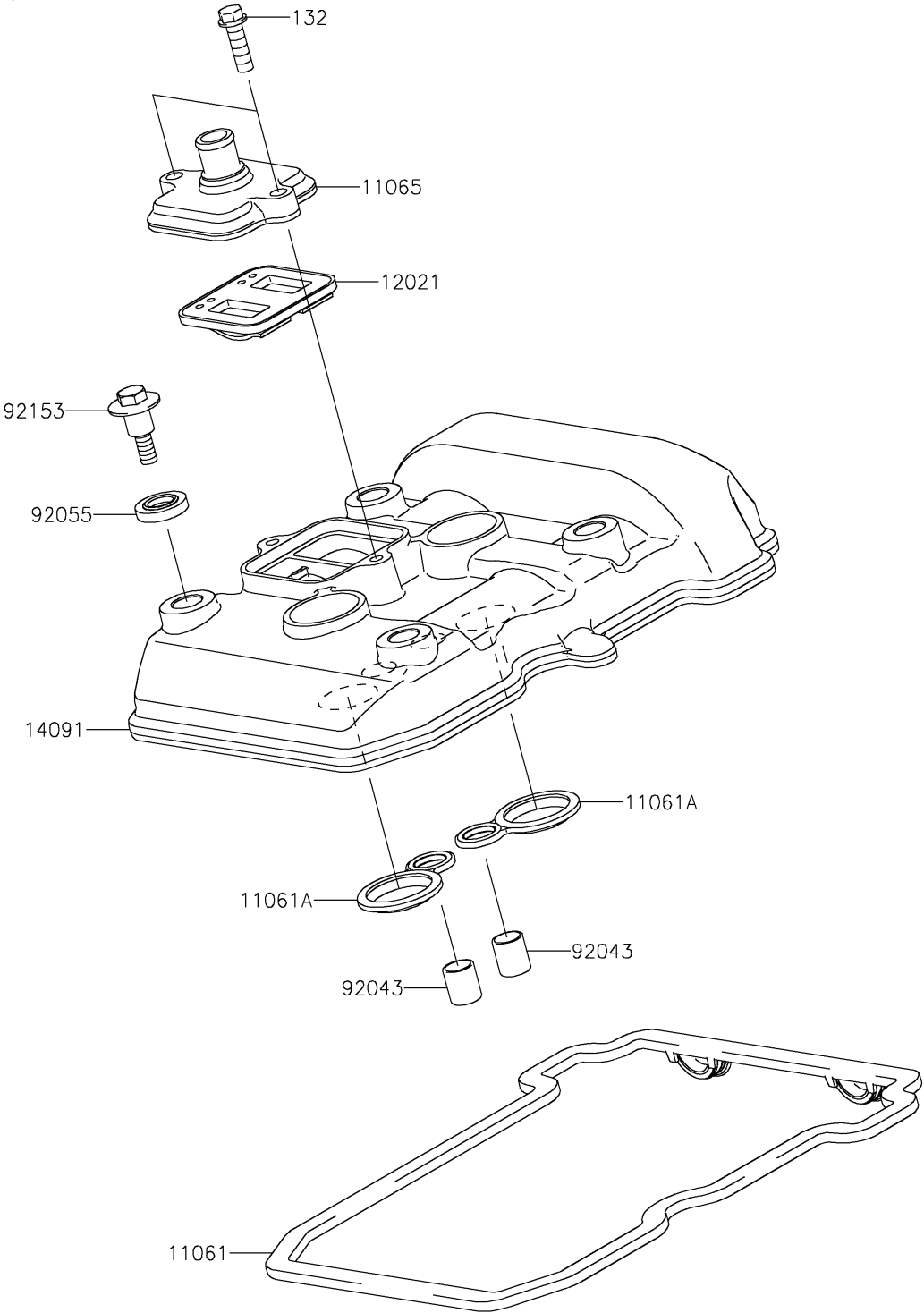


2017 PARTS DIAGRAM

Cylinder Head Cover

E1112



2017 PARTS LIST

Cylinder Head Cover

ITEM NAME	PART NUMBER	QUANTITY
GASKET,CYLINDER HEAD COVER (Ref # 11061)	11061-0282	1
GASKET,PLUG HOLE (Ref # 11061A)	11061-0283	1
CAP (Ref # 11065)	11065-0349	1
VALVE-ASSY-REED (Ref # 12021)	12021-0708	1
BOLT-FLANGED-SMALL,6X20 (Ref # 132)	132BA0620	1
COVER,CYLINDER HEAD (Ref # 14091)	14091-0724	1
PIN,10.1X12X14 (Ref # 92043)	92043-4009	1
RING-O,HEAD COVER BOLT (Ref # 92055)	92055-0195	1
BOLT,HEAD COVER (Ref # 92153)	92153-0793	1