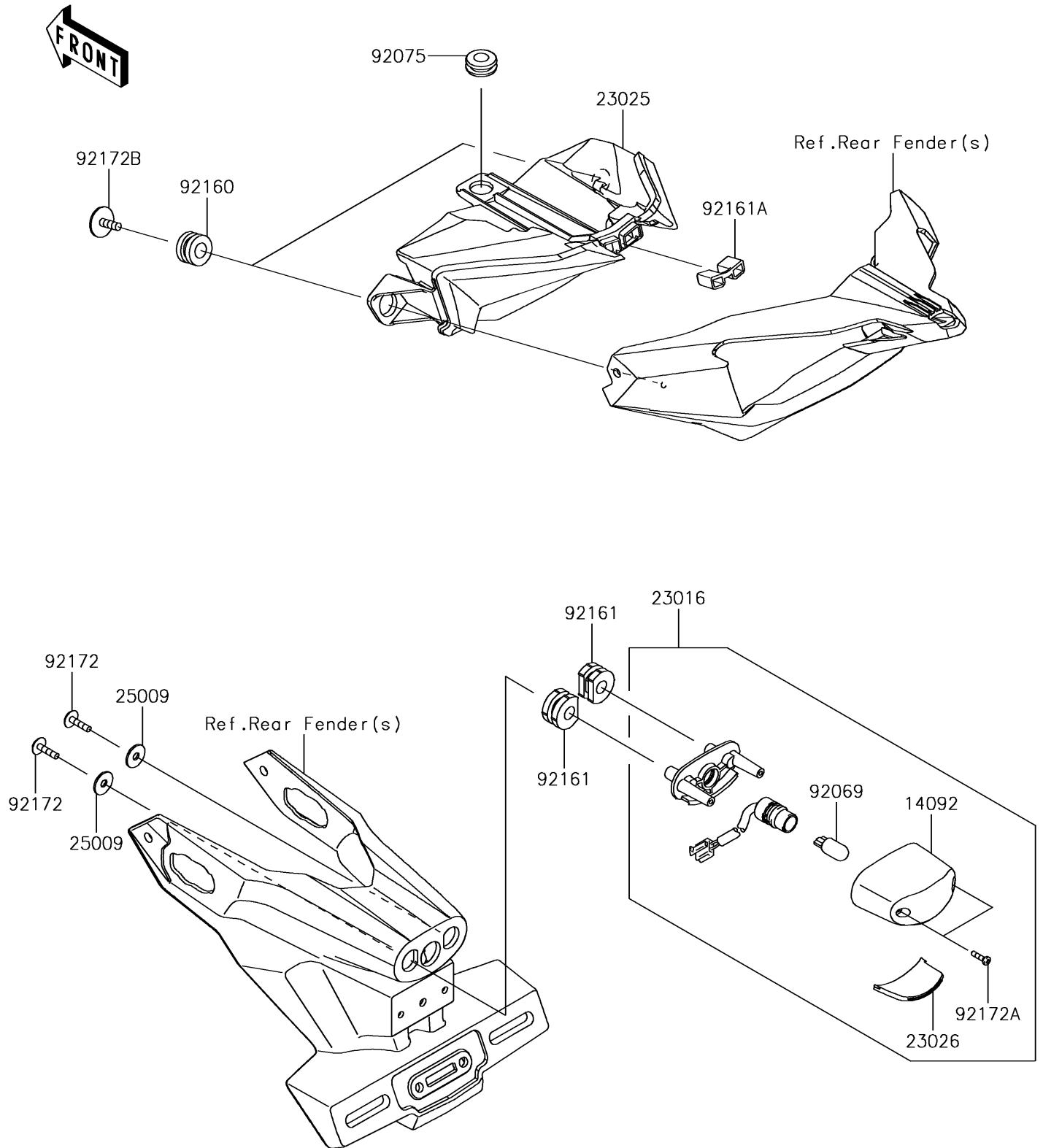


2017 PARTS DIAGRAM

Taillight(s)

F2720



2017 PARTS LIST

Taillight(s)

| ITEM NAME | PART NUMBER | QUANTITY |
|-------------------------------------|-------------|----------|
| COVER,LICENSE LAMP (Ref # 14092) | 14092-0001 | 1 |
| LAMP-ASSY,LICENCE (Ref # 23016) | 23016-0605 | 1 |
| LAMP-TAIL,LED (Ref # 23025) | 23025-0346 | 1 |
| LENS,LICENCE LAMP (Ref # 23026) | 23026-0028 | 1 |
| WASHER,5.2X16X1.2 (Ref # 25009) | 25009-004 | 1 |
| BULB,12V 5W (Ref # 92069) | 92069-1016 | 1 |
| DAMPER (Ref # 92075) | 92075-1028 | 1 |
| DAMPER,10X20X12 (Ref # 92160) | 92160-1167 | 1 |
| DAMPER (Ref # 92161) | 92161-0776 | 1 |
| DAMPER,RR FENDER (Ref # 92161A) | 92161-1727 | 1 |
| SCREW,TAPPING,5X16 (Ref # 92172) | 92172-0238 | 1 |
| SCREW,TAPPING,2.9X13 (Ref # 92172A) | 92172-0343 | 1 |
| SCREW,TAPTITE,5X16 (Ref # 92172B) | 92172-0481 | 1 |