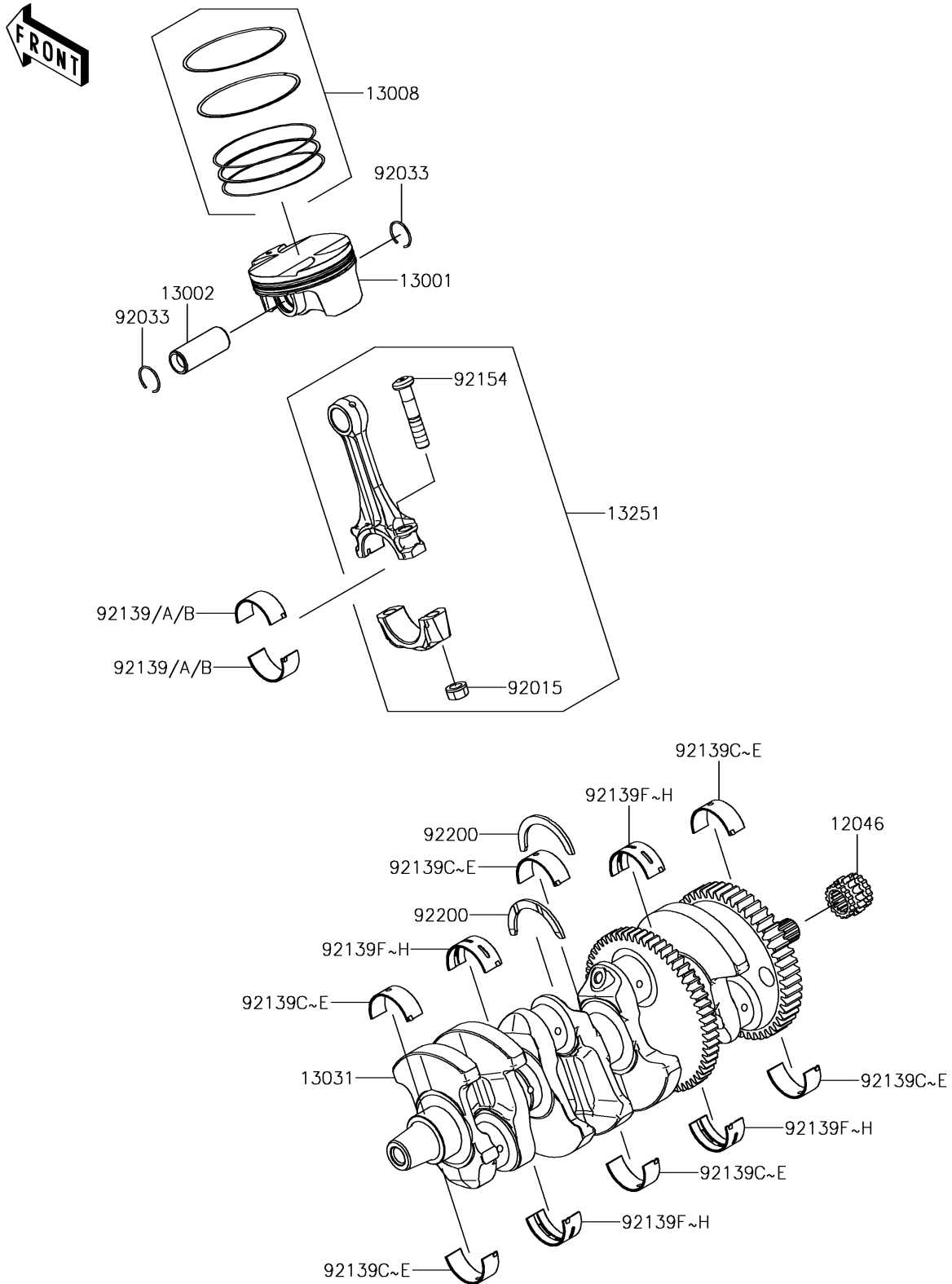


## 2017 PARTS DIAGRAM

Crankshaft/Piston(s)

E1320



## 2017 PARTS LIST

Crankshaft/Piston(s)

ITEM NAME	PART NUMBER	QUANTITY
SPROCKET,16T (Ref # 12046)	12046-0033	1
PISTON-ENGINE (Ref # 13001)	13001-0764	1
PIN-PISTON (Ref # 13002)	13002-0043	1
RING-SET-PISTON (Ref # 13008)	13008-0560	1
CRANKSHAFT-COMP (Ref # 13031)	13031-0802	1
ROD-ASSY-CONNECTING,I (Ref # 13251)	13251-0045-II	1
NUT,CONNECTING ROD (Ref # 92015)	92015-1559	1
RING-SNAP,20.5X1.2 (Ref # 92033)	92033-1099	1
BUSHING,CON-ROD,BLUE (Ref # 92139)	92139-0818	1
BUSHING,CON-ROD,BLACK (Ref # 92139A)	92139-0819	1
BUSHING,CON-ROD,BROWN (Ref # 92139B)	92139-0820	1
BUSHING,#1&#3&#5,BLUE (Ref # 92139C)	92139-0821	1
BUSHING,#1&#3&#5,BLACK (Ref # 92139D)	92139-0822	1
BUSHING,#1&#3&#5,BROWN (Ref # 92139E)	92139-0823	1
BUSHING,#2&#4,BLUE (Ref # 92139F)	92139-0824	1
BUSHING,#2&#4,BLACK (Ref # 92139G)	92139-0825	1
BUSHING,#2&#4,BROWN (Ref # 92139H)	92139-0826	1
BOLT,CON-ROD,9X47.5 (Ref # 92154)	92154-1367	1
WASHER,T=2.5 (Ref # 92200)	92200-0744	1