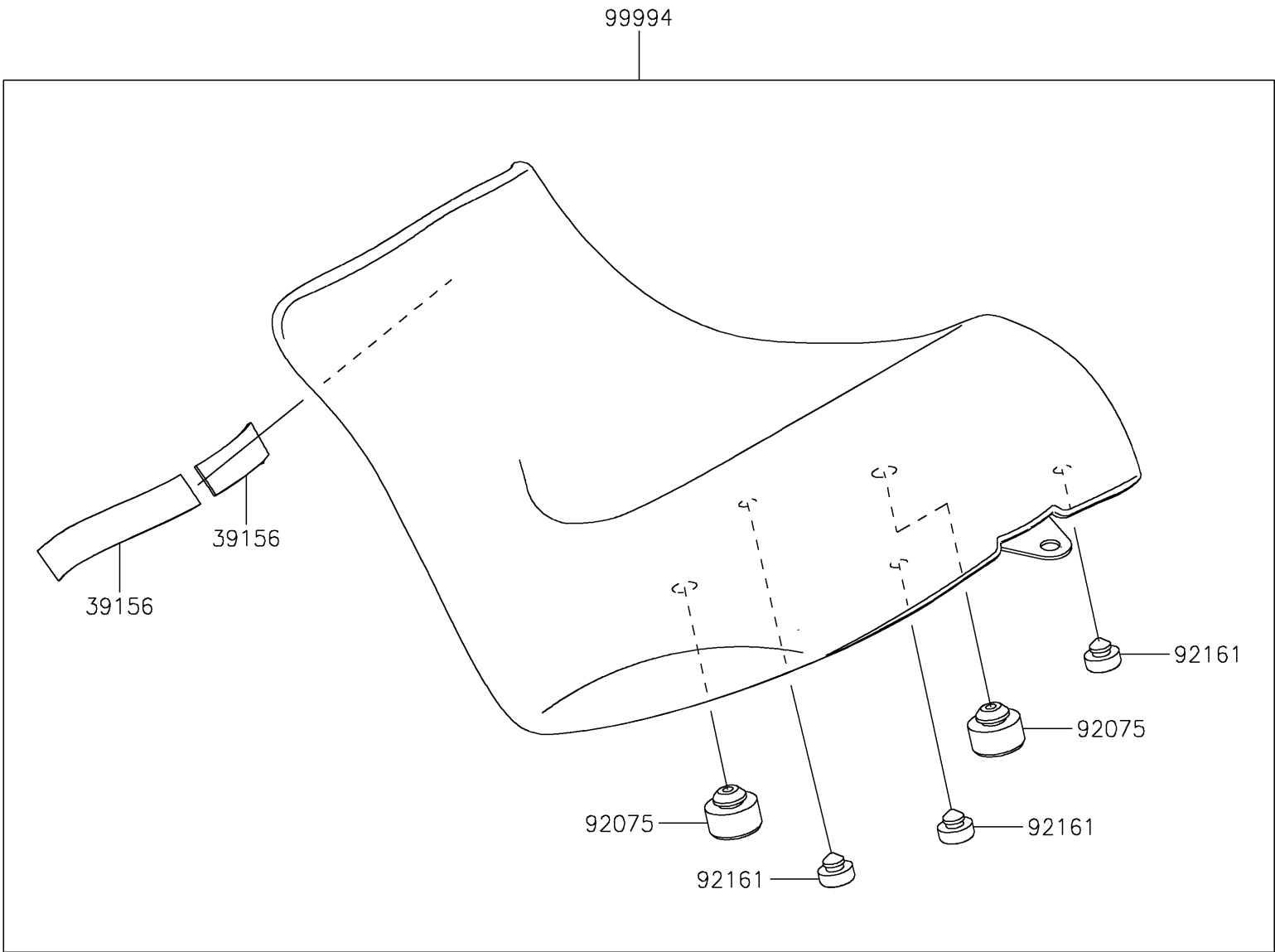


## 2017 PARTS DIAGRAM

Accessory(Reduced Reach Seat)

F2910E



## 2017 PARTS LIST

Accessory(Reduced Reach Seat)

ITEM NAME	PART NUMBER	QUANTITY
PAD,20X100X2 (Ref # 39156)	39156-1934	1
DAMPER (Ref # 92075)	92075-015	1
DAMPER,10X20X8 (Ref # 92161)	92161-0855	1
KIT-ACC,REDUCED REACH SEAT,FR (Ref # 99994)	99994-0876	1