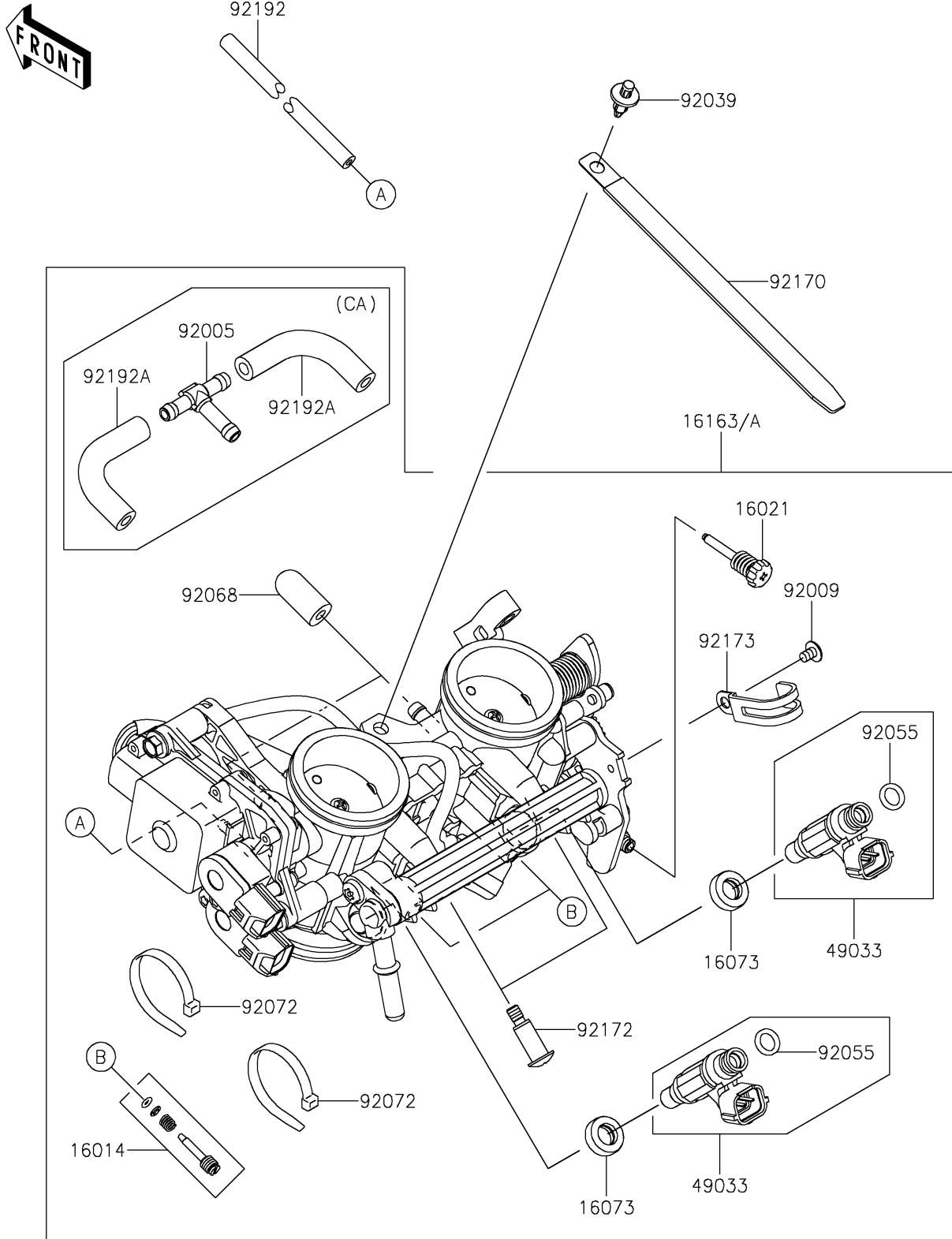


2017 PARTS DIAGRAM

Throttle

E1510



2017 PARTS LIST

Throttle

| ITEM NAME | PART NUMBER | QUANTITY |
|---------------------------------------|-------------|----------|
| SCREW-PILOT AIR (Ref # 16014) | 16014-0002 | 1 |
| SCREW-THROTTLE STOP (Ref # 16021) | 16021-0033 | 1 |
| INSULATOR (Ref # 16073) | 16073-3707 | 1 |
| THROTTLE-ASSY (Ref # 16163A) | 16163-0838 | 1 |
| NOZZLE-INJECTION (Ref # 49033) | 49033-0011 | 1 |
| FITTING,3WAY (Ref # 92005) | 92005-0730 | 1 |
| SCREW,CLAMP (Ref # 92009) | 92009-1860 | 1 |
| RIVET (Ref # 92039) | 92039-0068 | 1 |
| RING-O,INJECTION NOZZLE (Ref # 92055) | 92055-1622 | 1 |
| BAND,SUB-HARNESS (Ref # 92072) | 92072-0012 | 1 |
| CLAMP,L=150 (Ref # 92170) | 92170-1114 | 1 |
| SCREW,PIPE INJECTION (Ref # 92172) | 92172-0064 | 1 |
| CLAMP (Ref # 92173) | 92173-0288 | 1 |
| TUBE,3X6.7X300 (Ref # 92192) | 92192-0977 | 1 |
| TUBE (Ref # 92192A) | 92192-1045 | 1 |