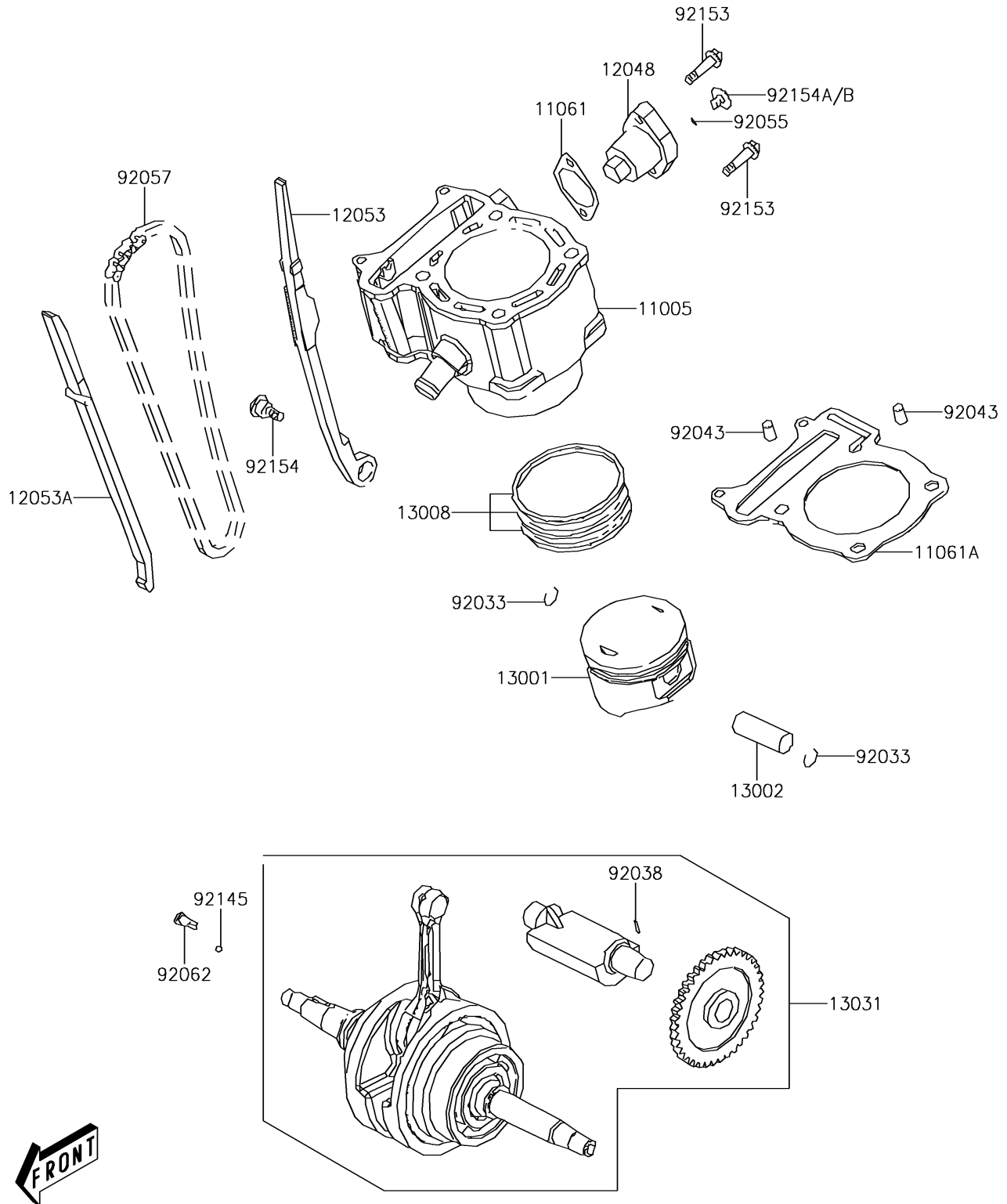


2012 Brute Force® 300 PARTS DIAGRAM

Cylinder/Piston(s)

E1120



2012 Brute Force® 300 PARTS LIST

Cylinder/Piston(s)

ITEM NAME	PART NUMBER	QUANTITY
CYLINDER-ENGINE (Ref # 11005)	11005-Y003	1
GASKET (Ref # 11061)	11061-Y012	1
GASKET,CYLINDER BASE (Ref # 11061A)	11061-Y027	1
TENSIONER-ASSY (Ref # 12048)	12048-Y001	1
GUIDE-CHAIN,TENSIONER (Ref # 12053)	12053-Y005	1
GUIDE-CHAIN (Ref # 12053A)	12053-Y006	1
PISTON-ENGINE (Ref # 13001)	13001-Y003	1
PIN-PISTON (Ref # 13002)	13002-Y003	1
RING-SET-PISTON (Ref # 13008)	13008-Y003	1
CRANKSHAFT-COMP (Ref # 13031)	13031-Y003	1
RING-SNAP (Ref # 92033)	92033-Y014	1
KEY,WOODRUFF (Ref # 92038)	92038-Y002	1
PIN,10X16 (Ref # 92043)	92043-Y013	1
RING-O,1.5X9.5 (Ref # 92055)	92055-Y010	1
CHAIN,CAM (Ref # 92057)	92057-Y005	1
NOZZLE (Ref # 92062)	92062-Y001	1
SPRING (Ref # 92145)	92145-Y025	1
BOLT,FLANGE,6X22 (Ref # 92153)	92153-Y003	1
BOLT,TENSIONER (Ref # 92154)	92154-Y011	1
BOLT,6X6 (Ref # 92154A)	92154-Y012	1