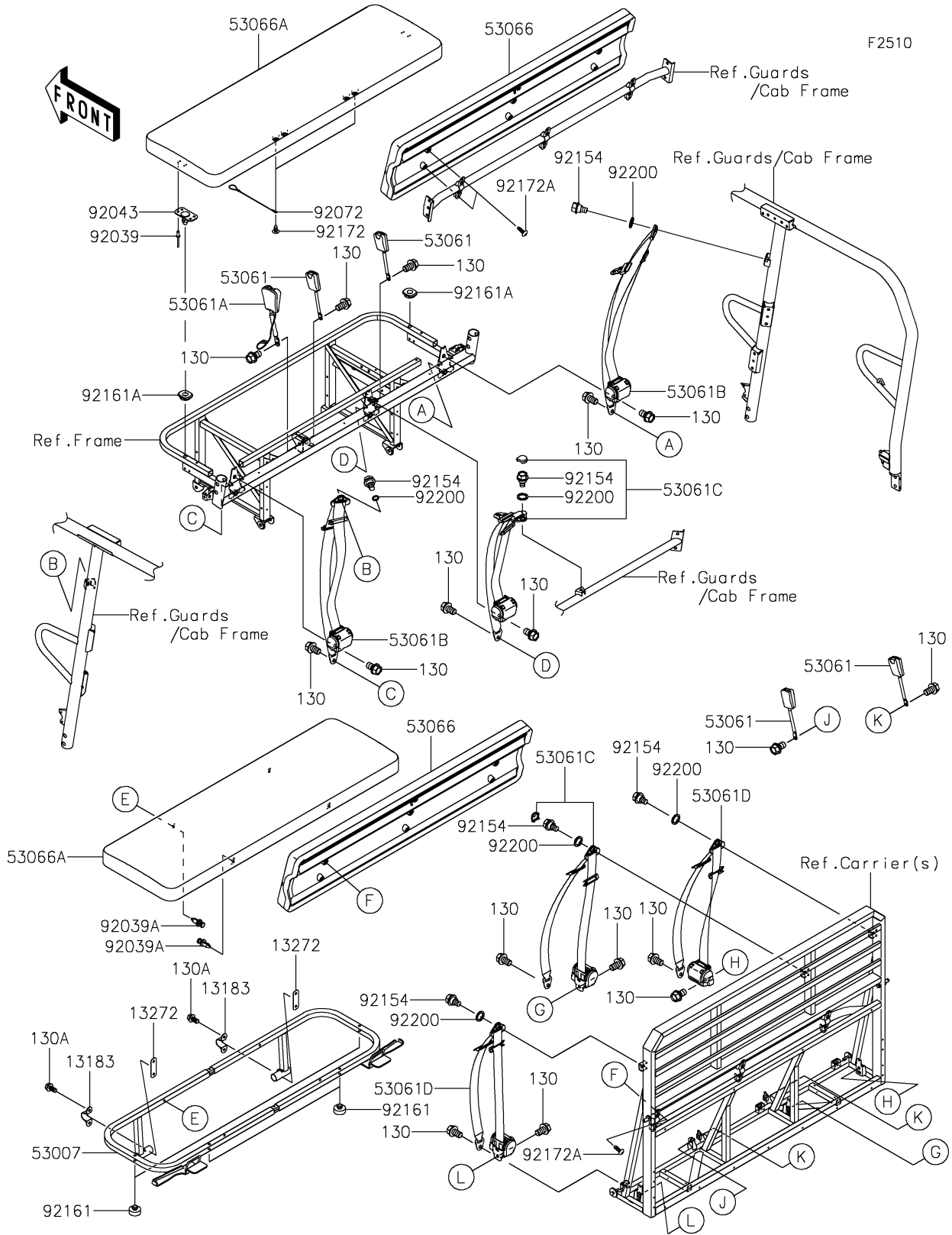


## 2018 MULE PRO-FXT™ EPS CAMO PARTS DIAGRAM

Seat



## 2018 MULE PRO-FXT™ EPS CAMO PARTS LIST

Seat

| ITEM NAME                             | PART NUMBER   | QUANTITY |
|---------------------------------------|---------------|----------|
| BOLT-FLANGED,12X20 (Ref # 130)        | 130BA1220     | 1        |
| BOLT-FLANGED,8X16 (Ref # 130A)        | 130CA0816     | 1        |
| PLATE,SEAT (Ref # 13183)              | 13183-1400    | 1        |
| PLATE (Ref # 13272)                   | 13272-1699    | 1        |
| FRAME-SEAT (Ref # 53007)              | 53007-0364    | 1        |
| BELT-SEAT,BUCKLE (Ref # 53061)        | 53061-0039    | 1        |
| BELT-SEAT,BUCKLE,SW. (Ref # 53061A)   | 53061-0338    | 1        |
| BELT-SEAT,FR,LH&RH (Ref # 53061B)     | 53061-0340    | 1        |
| BELT-SEAT,MIDDLE (Ref # 53061C)       | 53061-0341    | 1        |
| BELT-SEAT,RR,LH&RH (Ref # 53061D)     | 53061-0348    | 1        |
| SEAT-ASSY,BACK,BLACK (Ref # 53066)    | 53066-0426-MA | 1        |
| SEAT-ASSY,BOTTOM,BLACK (Ref # 53066A) | 53066-0495-MA | 1        |
| RIVET (Ref # 92039)                   | 92039-0747    | 1        |
| RIVET (Ref # 92039A)                  | 92039-0776    | 1        |
| PIN (Ref # 92043)                     | 92043-0859    | 1        |
| BAND (Ref # 92072)                    | 92072-0769    | 1        |
| BOLT,FLANGED,10X19.5 (Ref # 92154)    | 92154-1959    | 1        |
| DAMPER,SEAT (Ref # 92161)             | 92161-1065    | 1        |
| DAMPER,10.5X30X8.2 (Ref # 92161A)     | 92161-1784    | 1        |
| SCREW,6X16 (Ref # 92172)              | 92172-0284    | 1        |
| SCREW,TAPPING,6X20 (Ref # 92172A)     | 92172-0488    | 1        |
| WASHER,16X22X2 (Ref # 92200)          | 92200-1798    | 1        |