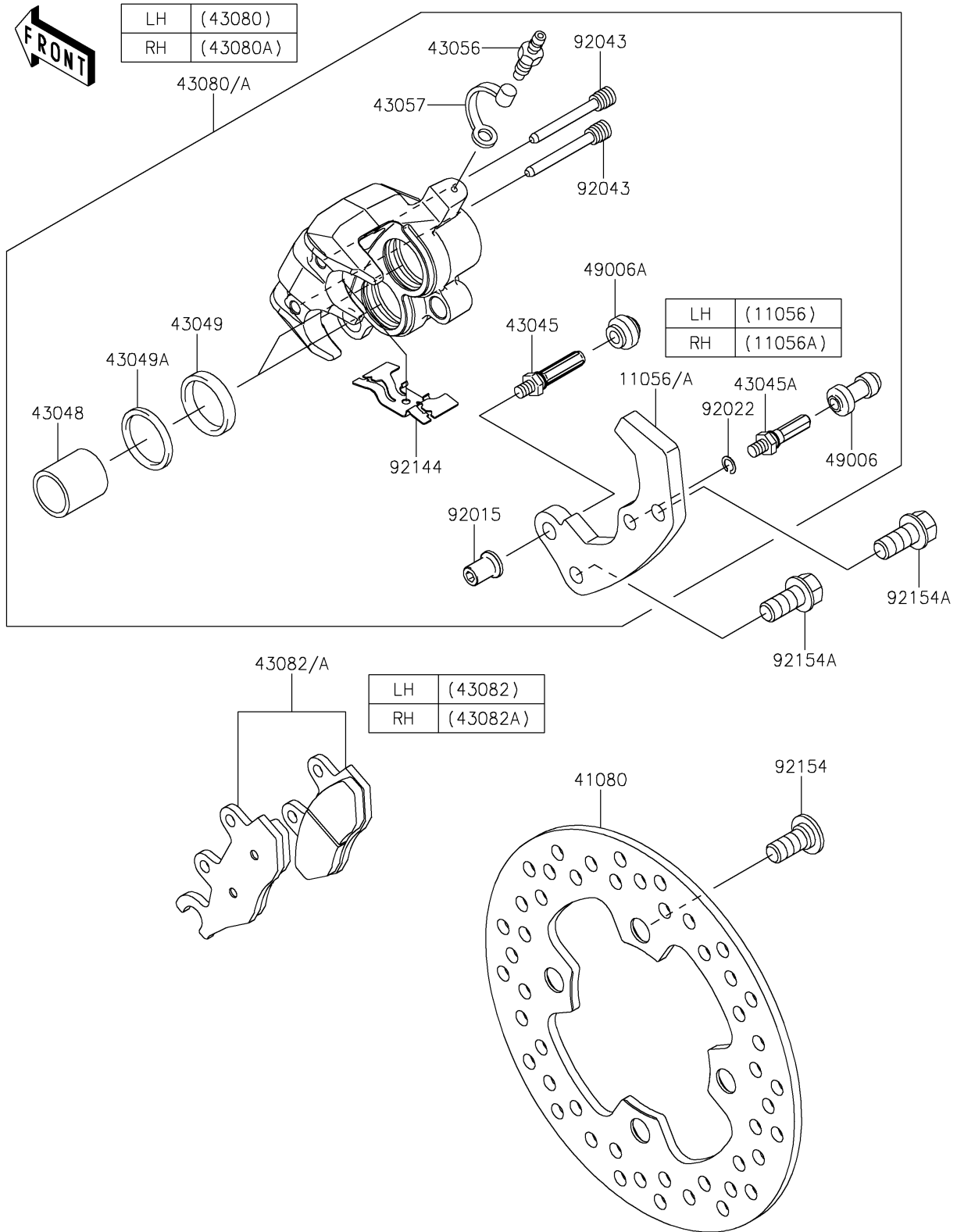


2018 MULE PRO-FXT™ EPS CAMO PARTS DIAGRAM

Front Brake

F2292



2018 MULE PRO-FXT™ EPS CAMO PARTS LIST

Front Brake

| ITEM NAME | PART NUMBER | QUANTITY |
|---------------------------------------|-------------|----------|
| BRACKET,LH (Ref # 11056) | 11056-3807 | 1 |
| BRACKET,RH (Ref # 11056A) | 11056-3829 | 1 |
| DISC (Ref # 41080) | 41080-0608 | 1 |
| SHAFT-CALIPER (Ref # 43045) | 43045-0011 | 1 |
| SHAFT-CALIPER (Ref # 43045A) | 43045-1010 | 1 |
| PISTON-CALIPER (Ref # 43048) | 43048-1068 | 1 |
| PACKING,PISTON SEAL (Ref # 43049) | 43049-1060 | 1 |
| PACKING,PISTON SEAL (Ref # 43049A) | 43049-1061 | 1 |
| BREATHER (Ref # 43056) | 43056-1055 | 1 |
| CAP-BREATHER (Ref # 43057) | 43057-1001 | 1 |
| CALIPER-SUB-ASSY,FR,LH (Ref # 43080) | 43080-0138 | 1 |
| CALIPER-SUB-ASSY,FR,RH (Ref # 43080A) | 43080-0139 | 1 |
| PAD-ASSY-BRAKE,FR,LH (Ref # 43082) | 43082-0138 | 1 |
| PAD-ASSY-BRAKE,FR,RH (Ref # 43082A) | 43082-0146 | 1 |
| BOOT,CALIPER (Ref # 49006) | 49006-1088 | 1 |
| BOOT,CALIPER (Ref # 49006A) | 49006-1242 | 1 |
| NUT (Ref # 92015) | 92015-1740 | 1 |
| WASHER,WAVE (Ref # 92022) | 92022-1373 | 1 |
| PIN,HANGER (Ref # 92043) | 92043-1416 | 1 |
| SPRING,PAD (Ref # 92144) | 92144-1847 | 1 |
| BOLT,SOCKET,10X23 (Ref # 92154) | 92154-0713 | 1 |
| BOLT,FLANGED,10X22 (Ref # 92154A) | 92154-1327 | 1 |