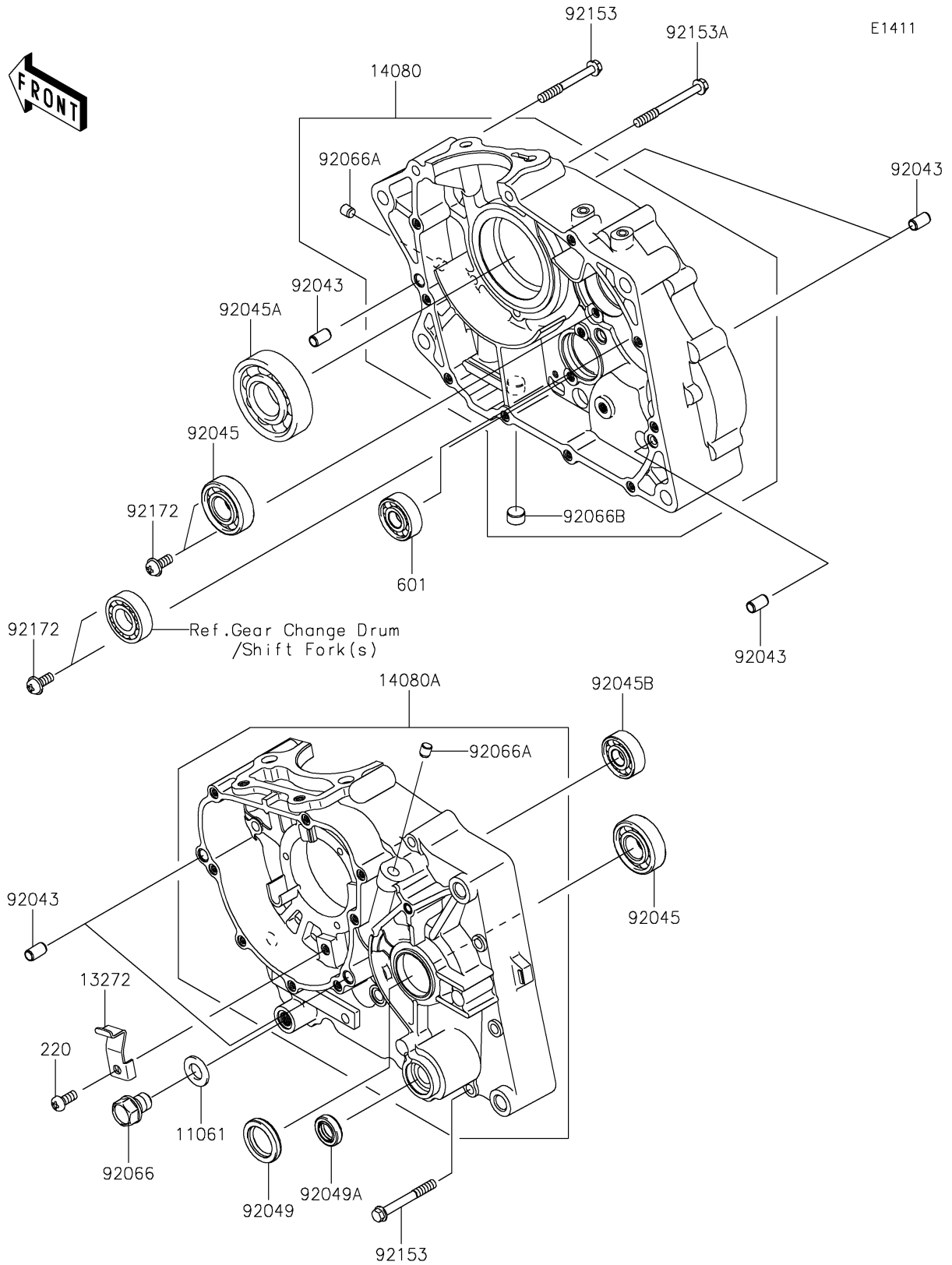


2017 KLX® 140G PARTS DIAGRAM

Crankcase



2017 KLX® 140G PARTS LIST

Crankcase

| ITEM NAME | PART NUMBER | QUANTITY |
|--|-------------|----------|
| GASKET,DRAIN PLUG (Ref # 11061) | 11061-0421 | 1 |
| PLATE (Ref # 13272) | 13272-1384 | 1 |
| CRANKCASE,RH (Ref # 14080) | 14080-0251 | 1 |
| CRANKCASE,LH (Ref # 14080A) | 14080-0295 | 1 |
| SCREW-PAN-CROS,6X14 (Ref # 220) | 220AA0614 | 1 |
| BEARING-BALL (Ref # 601) | 601A6201 | 1 |
| PIN,6.2X8X14 (Ref # 92043) | 92043-1263 | 1 |
| BEARING-BALL,#6203C2 (Ref # 92045) | 92045-0745 | 1 |
| BEARING-BALL,6305JR2C3 (Ref # 92045A) | 92045-1120 | 1 |
| BEARING-BALL,6201ZC3/5C (Ref # 92045B) | 92045-1308 | 1 |
| SEAL-OIL (Ref # 92049) | 92049-0011 | 1 |
| SEAL-OIL,13X22X5.5 (Ref # 92049A) | 92049-0141 | 1 |
| PLUG,OIL DRAIN,12X15 (Ref # 92066) | 92066-0753 | 1 |
| PLUG,OIL LINE,7.2X8 (Ref # 92066A) | 92066-1012 | 1 |
| PLUG (Ref # 92066B) | 92066-1110 | 1 |
| BOLT,6X50 (Ref # 92153) | 92153-1145 | 1 |
| BOLT,6X60 (Ref # 92153A) | 92153-1146 | 1 |
| SCREW,6X14 (Ref # 92172) | 92172-1062 | 1 |