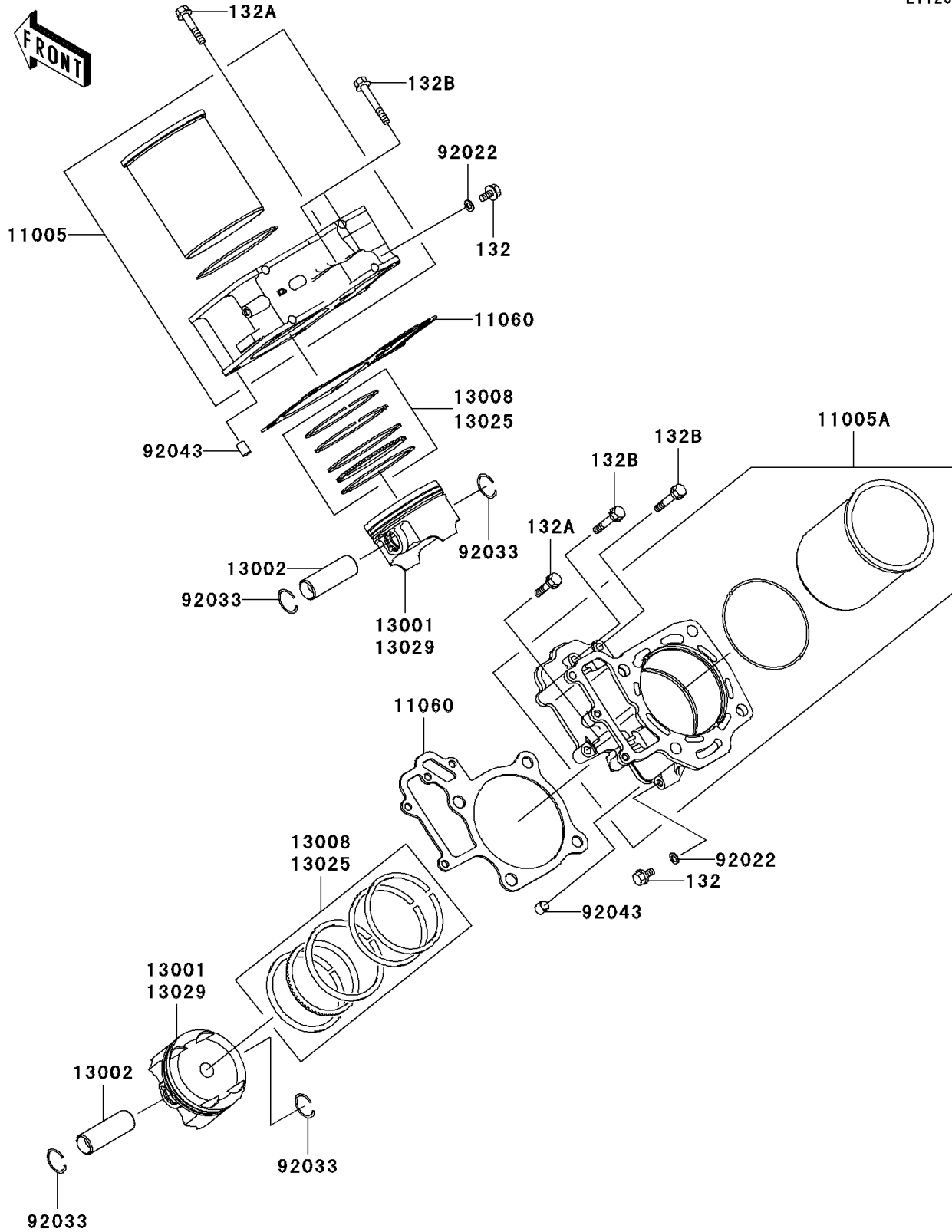


## 2005 Brute Force® 650 4x4 PARTS DIAGRAM

Cylinder/Piston(s)

E1120



## 2005 Brute Force® 650 4x4 PARTS LIST

Cylinder/Piston(s)

ITEM NAME	PART NUMBER	QUANTITY
BOLT-FLANGED-SMALL,6X12 (Ref # 132)	132Y0612	1
BOLT-FLANGED-SMALL,6X30 (Ref # 132A)	132Y0630	1
BOLT-FLANGED-SMALL,6X40 (Ref # 132B)	132Y0640	1
CYLINDER-ENGINE,FR (Ref # 11005)	11005-1918	1
CYLINDER-ENGINE,RR (Ref # 11005A)	11005-1920	1
GASKET,CYLINDER BASE (Ref # 11060)	11060-1965	1
PISTON-ENGINE (Ref # 13001)	13001-1574	1
PIN-PISTON (Ref # 13002)	13002-1060	1
RING-SET-PISTON (Ref # 13008)	13008-1198	1
RING-SET-PISTON L,O/S 0.50 (Ref # 13025)	13025-0001	1
PISTON-ENGINE L,O/S 0.50 (Ref # 13029)	13029-0001	1
WASHER,6.2X11X1 (Ref # 92022)	92022-304	1
RING-SNAP (Ref # 92033)	92033-1207	1
PIN,10.1X12X14 (Ref # 92043)	92043-4009	1