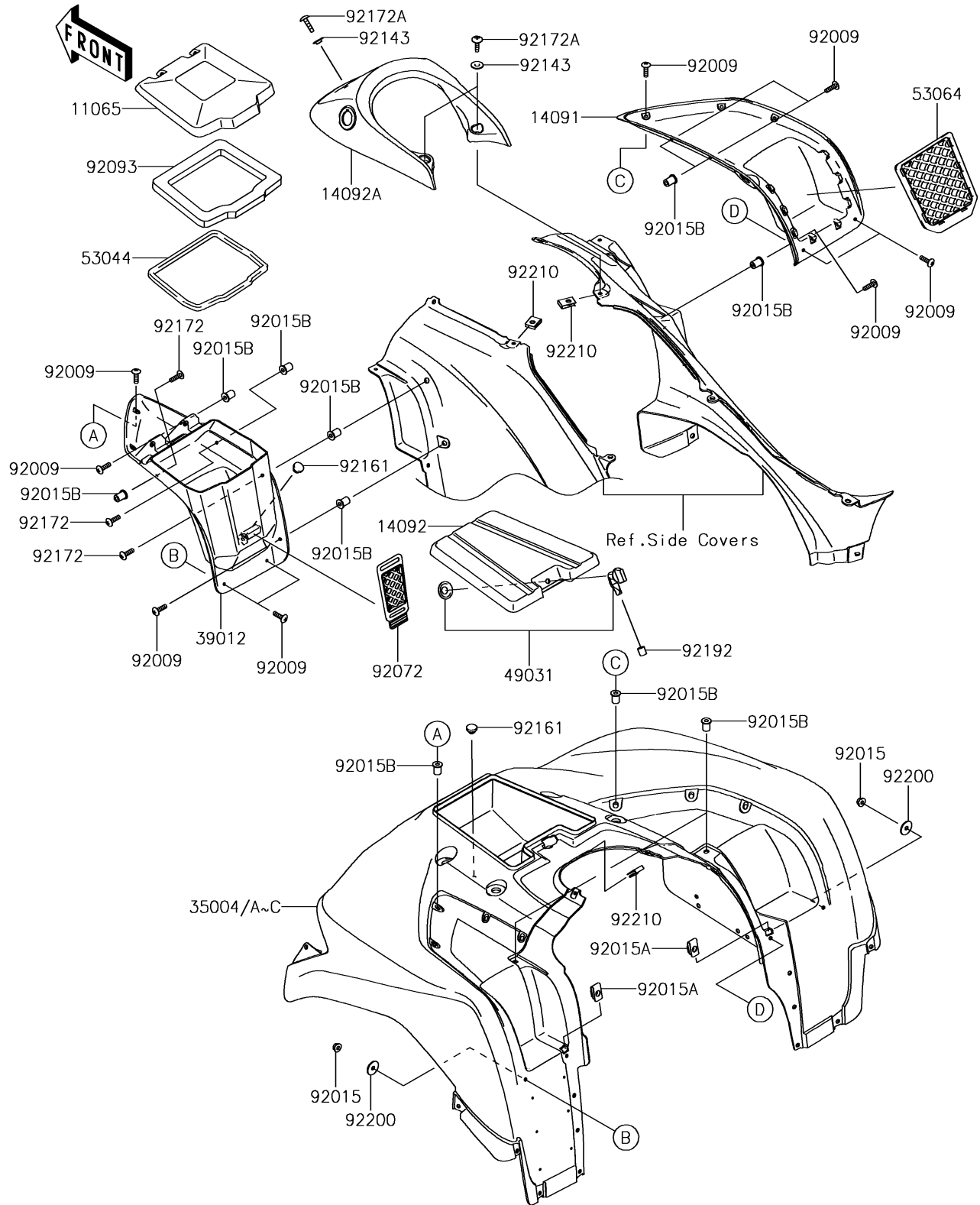


2015 Brute Force® 750 4x4i EPS PARTS DIAGRAM

Front Fender(s)

F2171



2015 Brute Force® 750 4x4i EPS PARTS LIST

Front Fender(s)

ITEM NAME	PART NUMBER	QUANTITY
CAP,STORAGE,F.BLACK (Ref # 11065)	11065-0194-6Z	1
COVER,POCKET,RH,F.BLACK (Ref # 14091)	14091-0136-6Z	1
COVER,STORAGE BOX (Ref # 14092)	14092-0180	1
COVER,TOP,F.BLACK (Ref # 14092A)	14092-0769-6Z	1
FENDER-FRONT,M.S.WHITE (Ref # 35004)	35004-0307-31Y	1
CASE-STORAGE,F.BLACK (Ref # 39012)	39012-0015-6Z	1
LATCH (Ref # 49031)	49031-0004	1
TRIM,L=700 (Ref # 53044)	53044-0037	1
NET-CARGO (Ref # 53064)	53064-0002	1
SCREW,5X18 (Ref # 92009)	92009-1655	1
NUT,FLANGED,5MM (Ref # 92015)	92015-1259	1
NUT,5MM (Ref # 92015A)	92015-1710	1
NUT,WELL,5MM (Ref # 92015B)	92015-1757	1
BAND,STORAGE (Ref # 92072)	92072-0095	1
SEAL,STORAGE CAP (Ref # 92093)	92093-0568	1
COLLAR (Ref # 92143)	92143-1087	1
DAMPER (Ref # 92161)	92161-0586	1
SCREW,5X18 (Ref # 92172)	92172-0428	1
SCREW,TAPPING,6X20 (Ref # 92172A)	92172-0488	1
TUBE (Ref # 92192)	92192-0973	1
WASHER,5.5X20X1.2 (Ref # 92200)	92200-0284	1
NUT,LEAF SPRING,6MM (Ref # 92210)	92210-0624	1