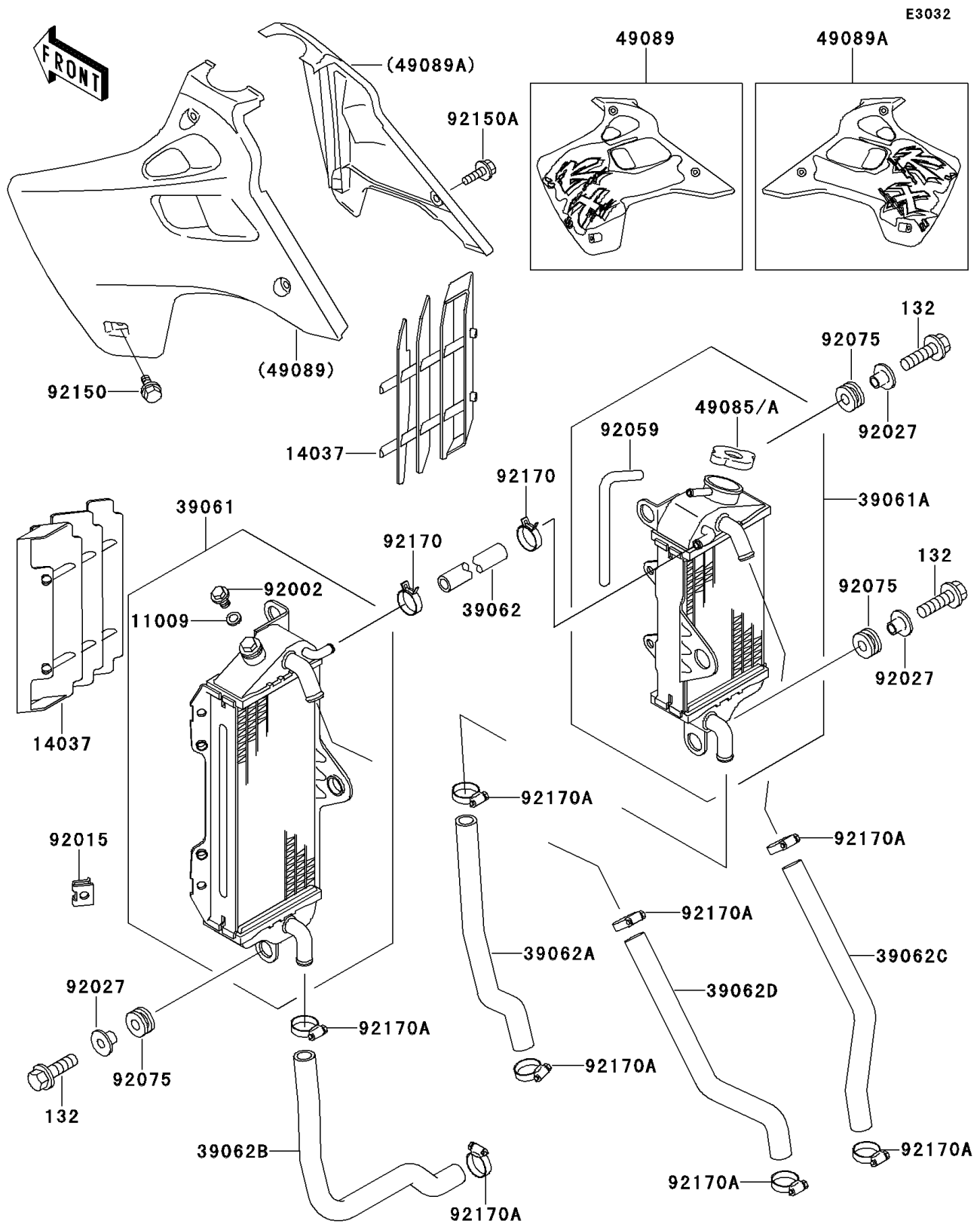


1993 KX™250 PARTS DIAGRAM

Radiator



1993 KX™250 PARTS LIST

Radiator

| ITEM NAME | PART NUMBER | QUANTITY |
|--|---------------|----------|
| GASKET,DRAIN BOLT (Ref # 11009) | 11009-1152 | 1 |
| BOLT-FLANGED-SMALL (Ref # 132) | 132G0620 | 1 |
| SCREEN,L.GREEN (Ref # 14037) | 14037-1099-6W | 1 |
| RADIATOR-ASSY,LH (Ref # 39061) | 39061-1173 | 1 |
| RADIATOR-ASSY,RH (Ref # 39061A) | 39061-1175 | 1 |
| HOSE-COOLING,RADIATOR,LH-RH (Ref # 39062) | 39062-1368 | 1 |
| HOSE-COOLING,RADIATOR,R-PUMP (Ref # 39062A) | 39062-1370 | 1 |
| HOSE-COOLING,RADIATOR,L-PUMP (Ref # 39062B) | 39062-1470 | 1 |
| HOSE-COOLING,HEAD-RADIATOR,RH (Ref # 39062C) | 39062-1501 | 1 |
| HOSE-COOLING,HEAD-RADIATOR,LH (Ref # 39062D) | 39062-1502 | 1 |
| CAP-ASSY-PRESSURE (Ref # 49085) | 49085-1003 | 1 |
| CAP-ASSY-PRESSURE,P=1.6 (Ref # 49085A) | 49085-1059 | 1 |
| SHROUD-ENGINE,LH,L.GREEN (Ref # 49089) | 49089-5162-6W | 1 |
| SHROUD-ENGINE,RH,L.GREEN (Ref # 49089A) | 49089-5163-6W | 1 |
| BOLT,RADIATOR DRAIN (Ref # 92002) | 92002-1682 | 1 |
| NUT (Ref # 92015) | 92015-1487 | 1 |
| COLLAR,L=11.1 (Ref # 92027) | 92027-194 | 1 |
| TUBE,5X9X800 (Ref # 92059) | 92059-1383 | 1 |
| DAMPER (Ref # 92075) | 92075-209 | 1 |
| BOLT,6X14 (Ref # 92150) | 92150-1392 | 1 |
| BOLT,6X12 (Ref # 92150A) | 92150-1435 | 1 |
| CLAMP (Ref # 92170) | 92170-1167 | 1 |
| CLAMP (Ref # 92170A) | 92170-1283 | 1 |