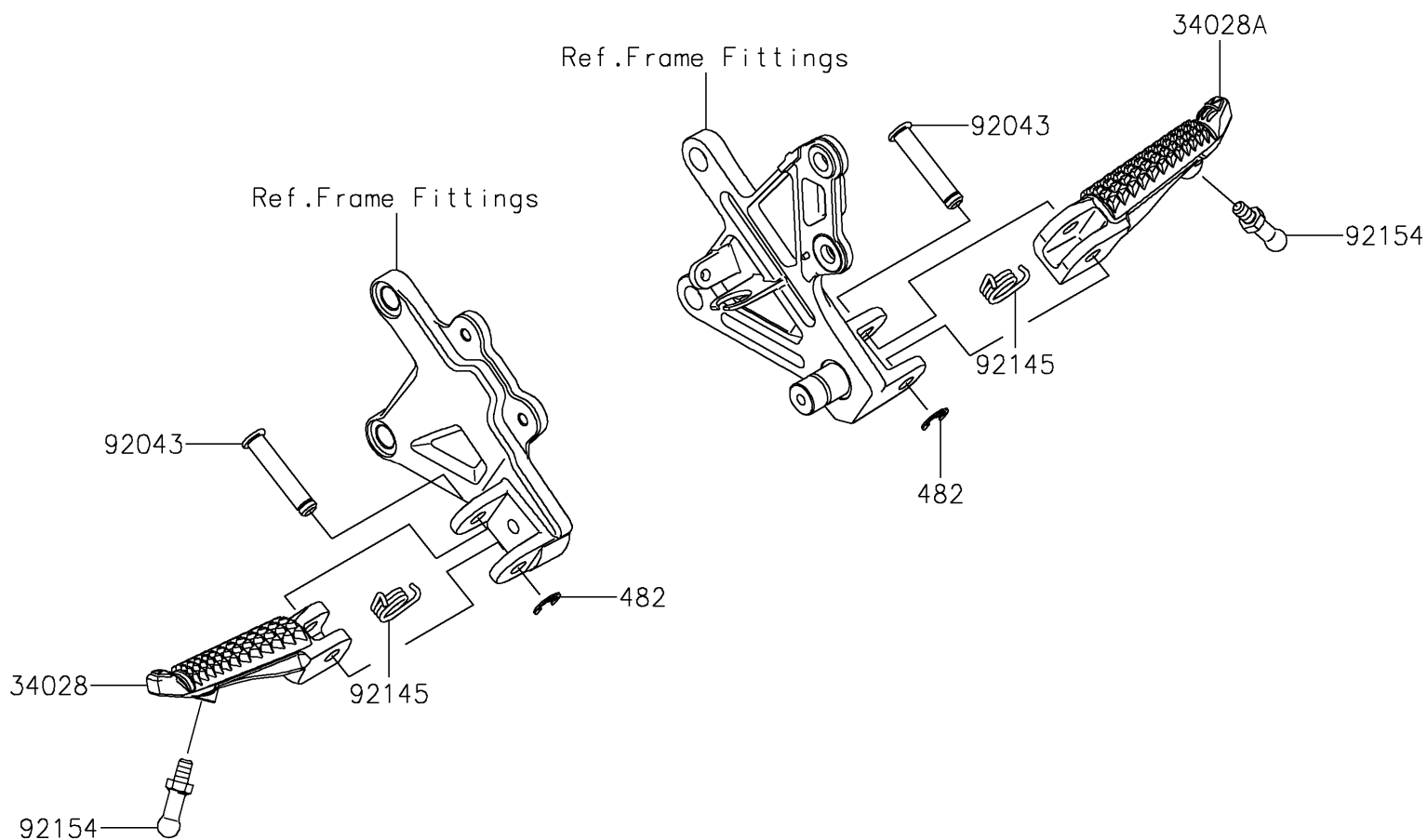


2019 PARTS DIAGRAM

Footrests

F2160



2019 PARTS LIST

Footrests

ITEM NAME	PART NUMBER	QUANTITY
STEP,FR,LH (Ref # 34028)	34028-0139	1
STEP,FR,RH (Ref # 34028A)	34028-0140	1
CIRCLIP-TYPE-E (Ref # 482)	482EA7000	1
PIN,8X40.5 (Ref # 92043)	92043-0877	1
SPRING (Ref # 92145)	92145-0780	1
BOLT,BANK SENSOR,6X10 (Ref # 92154)	92154-1895	1