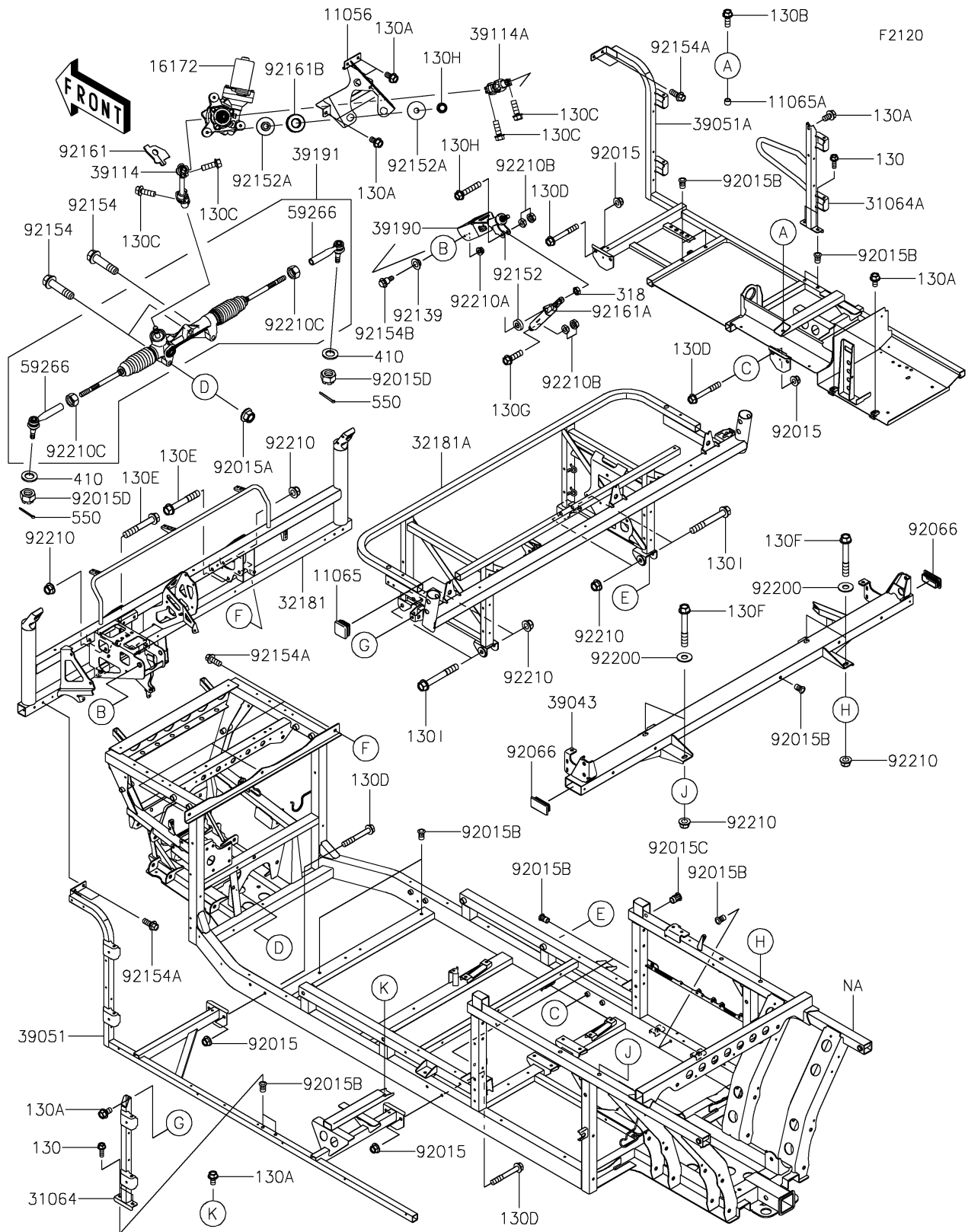


2019 PARTS DIAGRAM

Frame



2019 PARTS LIST

Frame

| ITEM NAME | PART NUMBER | QUANTITY |
|---|-------------|----------|
| BRACKET (Ref # 11056) | 11056-2838 | 1 |
| CAP (Ref # 11065) | 11065-0901 | 1 |
| CAP (Ref # 11065A) | 11065-7504 | 1 |
| BOLT-FLANGED,6X18 (Ref # 130) | 130BA0618 | 1 |
| BOLT-FLANGED,8X14 (Ref # 130A) | 130BA0814 | 1 |
| BOLT-FLANGED,8X22 (Ref # 130B) | 130BA0822 | 1 |
| BOLT-FLANGED,8X25 (Ref # 130C) | 130BA0825 | 1 |
| ACTUATOR,EPS (Ref # 16172) | 16172-0557 | 1 |
| PIPE-COMP,RR DOOR HINGE,LH (Ref # 31064) | 31064-0704 | 1 |
| PIPE-COMP,RR DOOR HINGE,RH (Ref # 31064A) | 31064-0705 | 1 |
| FRAME-SUB-COMP,DASH PANEL (Ref # 32181) | 32181-0011 | 1 |
| FRAME-SUB-COMP,SEAT (Ref # 32181A) | 32181-0014 | 1 |
| CROSSMEMBER-COMP,C PILLAR (Ref # 39043) | 39043-0025 | 1 |
| FRAME-COMP-SIDE,LH (Ref # 39051) | 39051-0011 | 1 |
| FRAME-COMP-SIDE,RH (Ref # 39051A) | 39051-0013 | 1 |
| SHAFT-COMP-STRG (Ref # 39114) | 39114-0015 | 1 |
| SHAFT-COMP-STRG (Ref # 39114A) | 39114-0019 | 1 |
| SHAFT-ASSY-STEERING (Ref # 39190) | 39190-0006 | 1 |
| GEAR-ASSY-STEERING (Ref # 39191) | 39191-0030 | 1 |
| JOINT-BALL (Ref # 59266) | 59266-0712 | 1 |
| NUT,8MM (Ref # 92015) | 92015-1432 | 1 |
| NUT,LOCK,FLANGED,12MM (Ref # 92015A) | 92015-1433 | 1 |
| NUT,POP,6MM,L=15 (Ref # 92015B) | 92015-1791 | 1 |
| NUT,POP,8MM,L=16.5 (Ref # 92015C) | 92015-1793 | 1 |
| NUT,CASTLE,14MM (Ref # 92015D) | 92015-1841 | 1 |
| PLUG (Ref # 92066) | 92066-7505 | 1 |
| BUSHING (Ref # 92139) | 92139-0230 | 1 |
| COLLAR,8.2X18X5 (Ref # 92152) | 92152-1848 | 1 |
| COLLAR,8.5X30X10.6 (Ref # 92152A) | 92152-2149 | 1 |

2019 PARTS LIST

Frame

| ITEM NAME | PART NUMBER | QUANTITY |
|-------------------------------------|-------------|----------|
| BOLT,FLANGED,12X50 (Ref # 92154) | 92154-1008 | 1 |
| BOLT,FLANGED,8X20 (Ref # 92154A) | 92154-1226 | 1 |
| BOLT,6X21.5 (Ref # 92154B) | 92154-1320 | 1 |
| DAMPER (Ref # 92161) | 92161-1689 | 1 |
| DAMPER,GAS SPRING (Ref # 92161A) | 92161-1825 | 1 |
| DAMPER,ACTUATOR (Ref # 92161B) | 92161-7517 | 1 |
| WASHER,10.5X25X1.6 (Ref # 92200) | 92200-1595 | 1 |
| NUT,LOCK,FLANGED,10MM (Ref # 92210) | 92210-0276 | 1 |
| NUT,LOCK,FLANGED,6MM (Ref # 92210A) | 92210-0303 | 1 |
| NUT,HARD LOCK,8MM (Ref # 92210B) | 92210-0934 | 1 |
| NUT,16MM (Ref # 92210C) | 92210-0969 | 1 |
| BOLT-FLANGED,8X60 (Ref # 130D) | 130BA0860 | 1 |
| BOLT-FLANGED,10X65 (Ref # 130E) | 130BA1065 | 1 |
| BOLT-FLANGED,10X70 (Ref # 130F) | 130BA1070 | 1 |
| BOLT-FLANGED,8X30 (Ref # 130G) | 130CA0830 | 1 |
| BOLT-FLANGED,8X45 (Ref # 130H) | 130CA0845 | 1 |
| BOLT-FLANGED,10X75 (Ref # 130I) | 130CA1075 | 1 |
| NUT-HEX-SMALL,8MM (Ref # 318) | 318BA0800 | 1 |
| WASHER-PLAIN-SMALL,14MM (Ref # 410) | 410AA1400 | 1 |
| PIN-COTTER,3.0X25 (Ref # 550) | 550AA3025 | 1 |