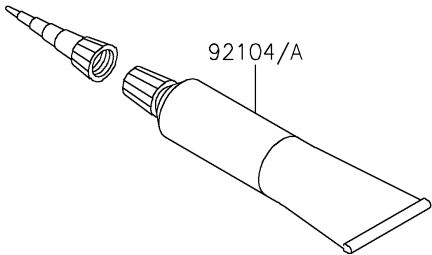
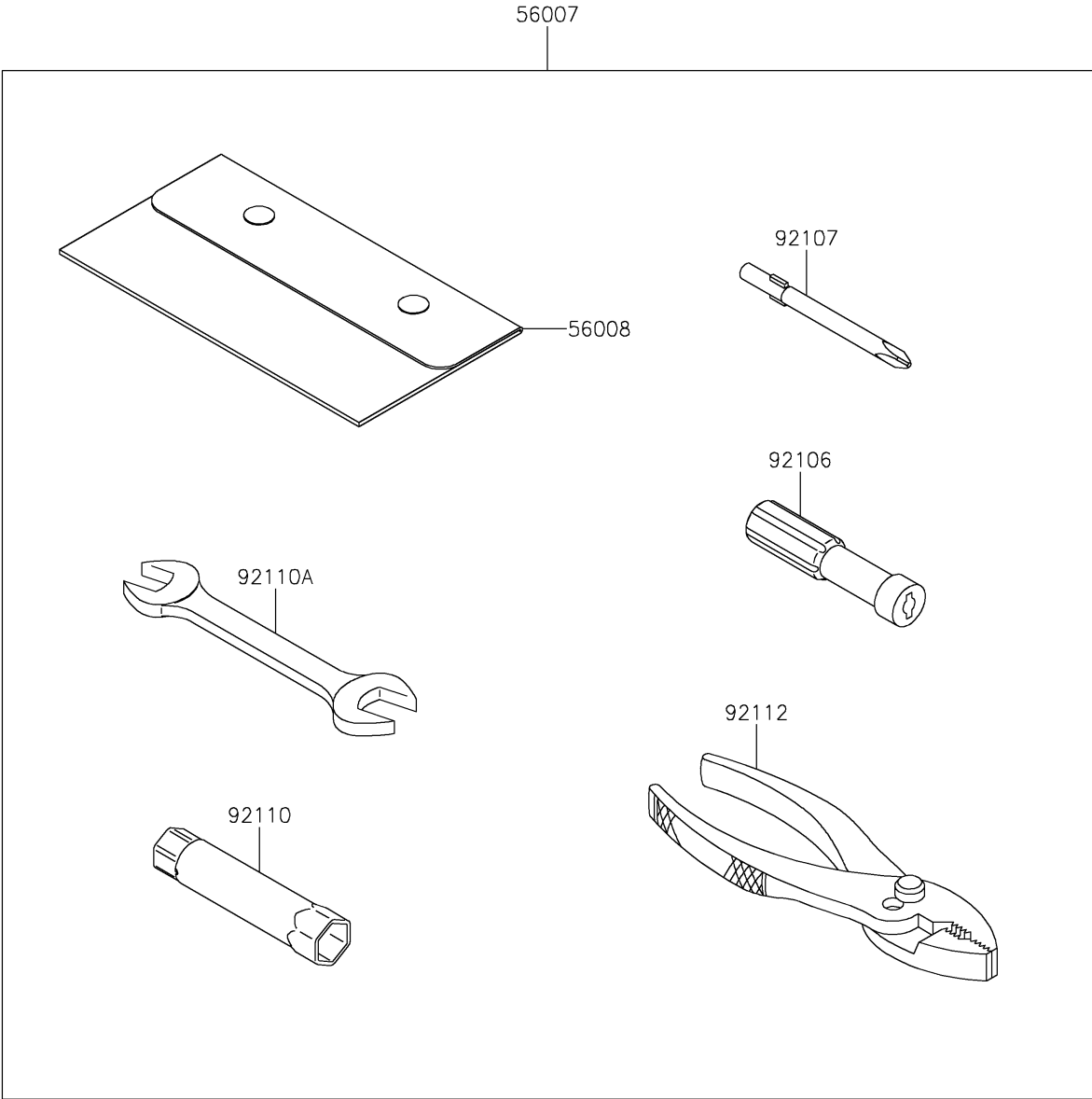


2018 PARTS DIAGRAM

Owner's Tools

F2810



2018 PARTS LIST

Owner's Tools

| ITEM NAME | PART NUMBER | QUANTITY |
|--|-------------|----------|
| TOOL-KIT (Ref # 56007) | 56007-0084 | 1 |
| BAG,TOOL (Ref # 56008) | 56008-0024 | 1 |
| GASKET-LIQUID,TB1211F,CLEAR (Ref # 92104) | 92104-0004 | 1 |
| GASKET-LIQUID,TB1216B,BLACK (Ref # 92104A) | 92104-1064 | 1 |
| GRIP-SCREW DRIVER (Ref # 92106) | 92106-0002 | 1 |
| TOOL-DRIVER,#2PHILLIPS (Ref # 92107) | 92107-0014 | 1 |
| TOOL-WRENCH,BOX,16X17 (Ref # 92110) | 92110-0050 | 1 |
| TOOL-WRENCH,OPEN END,14X17 (Ref # 92110A) | 92110-0053 | 1 |
| TOOL-PLIERS (Ref # 92112) | 92112-0005 | 1 |