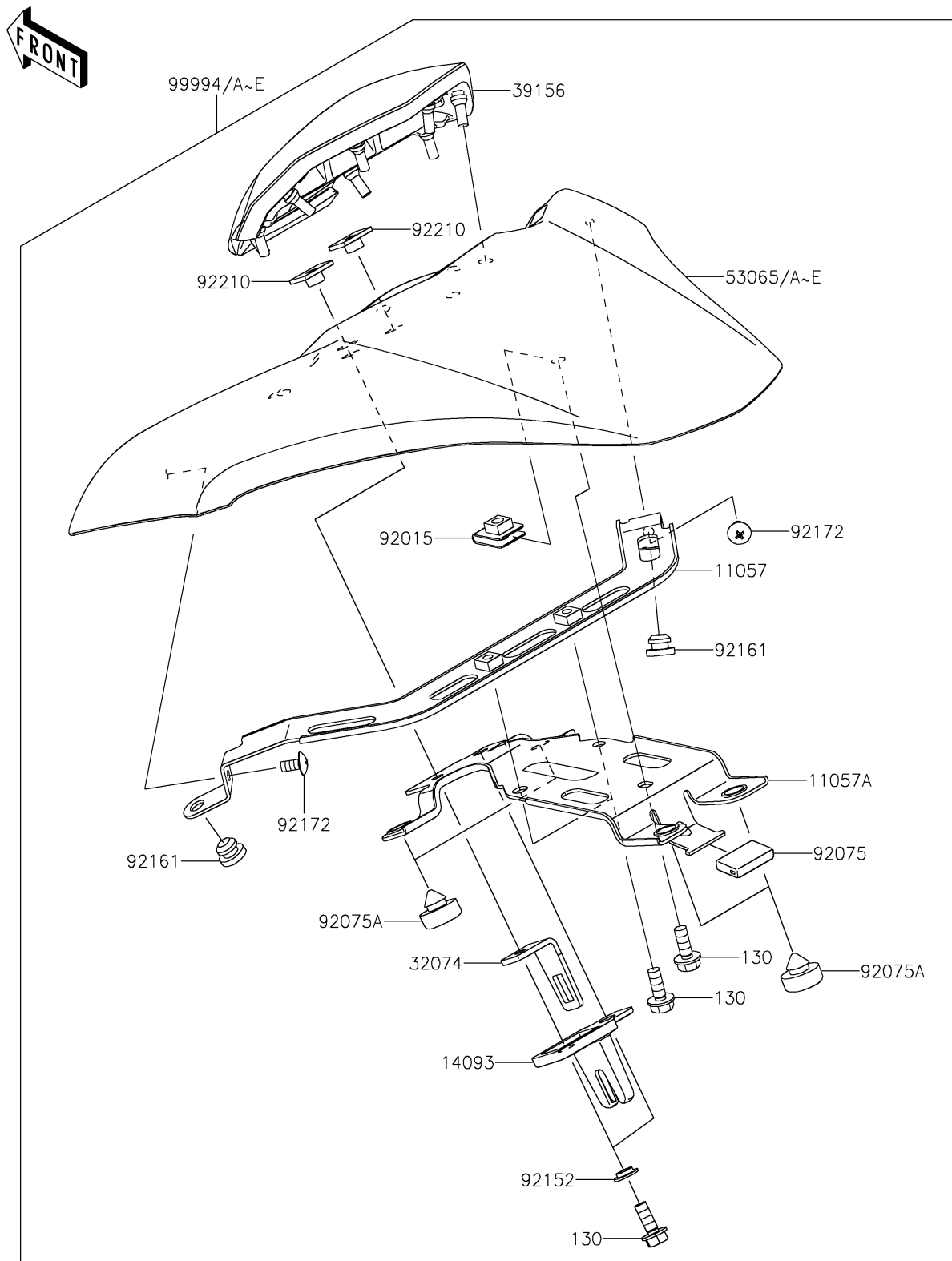


2018 Z900 ABS PARTS DIAGRAM

Accessory(Single Seat Cover)

F2910



2018 Z900 ABS PARTS LIST

Accessory(Single Seat Cover)

ITEM NAME	PART NUMBER	QUANTITY
BRACKET (Ref # 11057)	11057-0269	1
BRACKET,MOUNT (Ref # 11057A)	11057-0270	1
BOLT-FLANGED,6X16 (Ref # 130)	130BB0616	1
COVER (Ref # 14093)	14093-0515	1
BRACKET-LOCK (Ref # 32074)	32074-0017	1
PAD (Ref # 39156)	39156-2122	1
COVER SEAT,P.M.GRAY (Ref # 53065A)	53065-0050-36P	1
COVER SEAT,C.L.GREEN (Ref # 53065B)	53065-0050-51P	1
COVER SEAT,M.S.BLACK (Ref # 53065C)	53065-0050-660	1
COVER SEAT,C.P.RED (Ref # 53065E)	53065-0050-A5	1
NUT,CLAMP,6MM (Ref # 92015)	92015-1531	1
DAMPER (Ref # 92075)	92075-1446	1
DAMPER,10X20X8 (Ref # 92075A)	92075-1927	1
COLLAR (Ref # 92152)	92152-0250	1
DAMPER (Ref # 92161)	92161-1084	1
SCREW,5X10 (Ref # 92172)	92172-0864	1
NUT,PLATE,6MM (Ref # 92210)	92210-1352	1
KIT,SINGLE SEAT COVER,P.M.GRAY (Ref # 99994A)	99994-1111-36P	1
KIT,SINGLE SEAT COVER,C.L.GRN (Ref # 99994B)	99994-1111-51P	1
KIT,SINGLE SEAT COVER,M.S.BLK (Ref # 99994C)	99994-1111-660	1
KIT,SINGLE SEAT COVER,C.P.RED (Ref # 99994E)	99994-1111-A5	1