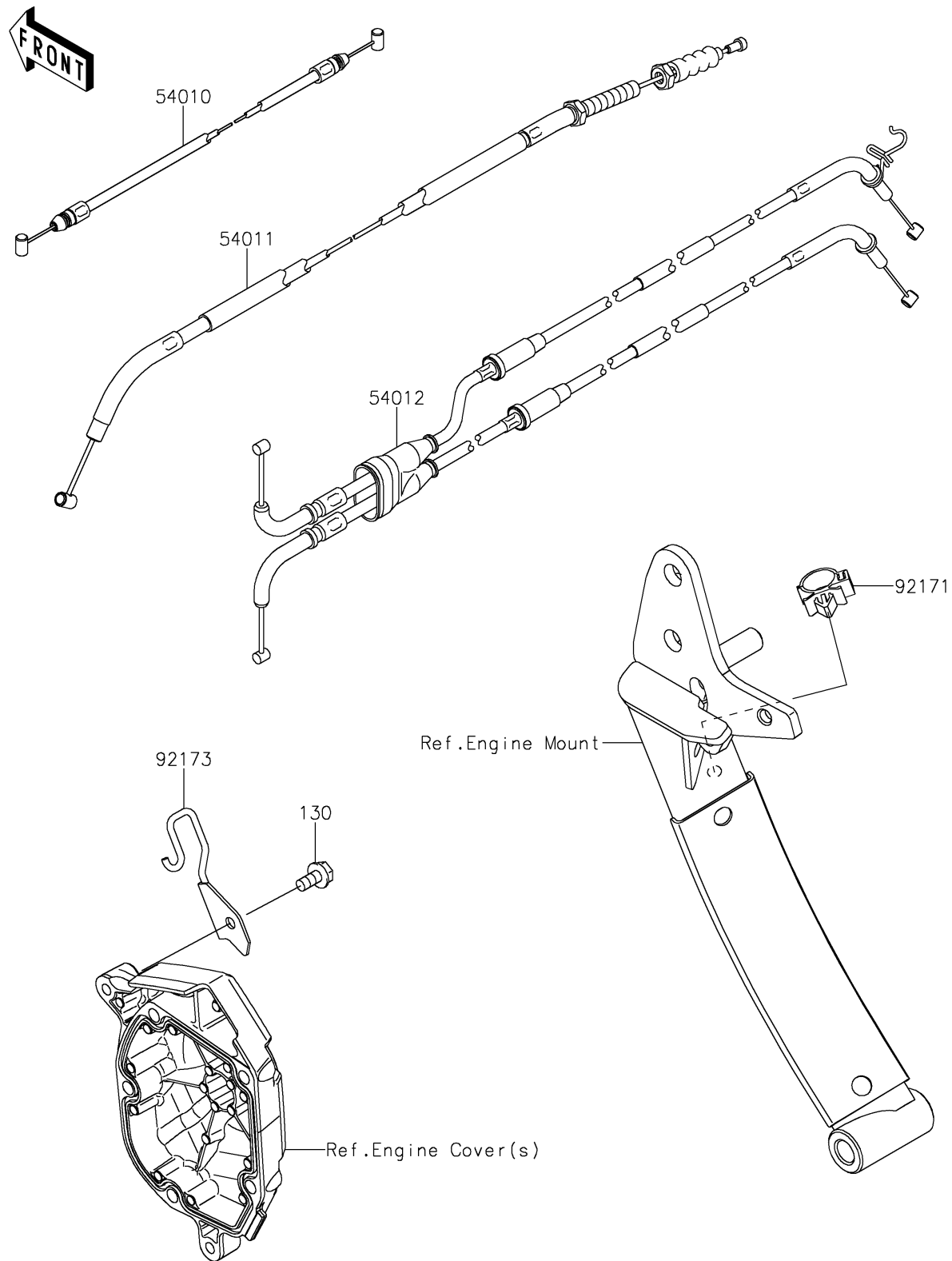


2017 NINJA® 1000 ABS PARTS DIAGRAM

Cables

F2540



2017 NINJA® 1000 ABS PARTS LIST

Cables

ITEM NAME	PART NUMBER	QUANTITY
BOLT-FLANGED,6X12 (Ref # 130)	130BB0612	1
CABLE,SEAT LOCK (Ref # 54010)	54010-0135	1
CABLE-CLUTCH (Ref # 54011)	54011-0621	1
CABLE-THROTTLE (Ref # 54012)	54012-0649	1
CLAMP (Ref # 92171)	92171-0782	1
CLAMP,CLUTCH COVER (Ref # 92173)	92173-0737	1