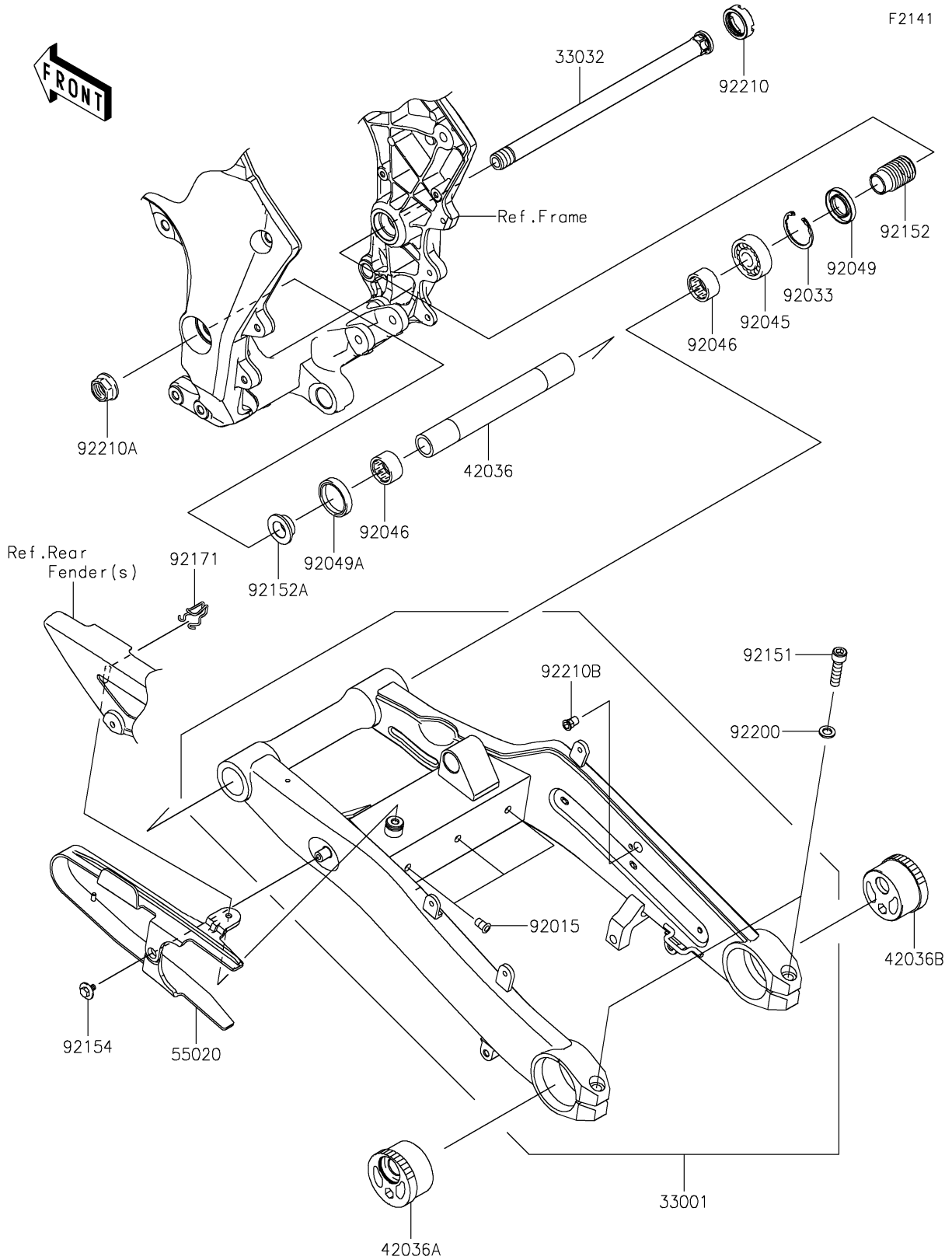


2017 NINJA® 1000 ABS PARTS DIAGRAM

Swingarm



2017 NINJA® 1000 ABS PARTS LIST

Swingarm

| ITEM NAME | PART NUMBER | QUANTITY |
|--|----------------|----------|
| ARM-COMP-SWING,F.S.BLACK (Ref # 33001) | 33001-0673-18R | 1 |
| SHAFT-SWING ARM (Ref # 33032) | 33032-0044 | 1 |
| SLEEVE,20.1X28X226 (Ref # 42036) | 42036-0069 | 1 |
| SLEEVE,REAR AXLE,LH,SILVER (Ref # 42036A) | 42036-1153-KX | 1 |
| SLEEVE,REAR AXLE,RH,SILVER (Ref # 42036B) | 42036-1265-KX | 1 |
| GUARD,CHAIN (Ref # 55020) | 55020-0903 | 1 |
| NUT,POP,6MM,L=16.5 (Ref # 92015) | 92015-1792 | 1 |
| RING-SNAP,42MM (Ref # 92033) | 92033-1041 | 1 |
| BEARING-BALL,6004UL11 (Ref # 92045) | 92045-0017 | 1 |
| BEARING-NEEDLE,7E-HVS 28X34X17 (Ref # 92046) | 92046-0008 | 1 |
| SEAL-OIL,MHSA25X42X6 (Ref # 92049) | 92049-1314 | 1 |
| SEAL-OIL,MHSA25X34X7 (Ref # 92049A) | 92049-1352 | 1 |
| BOLT,SOCKET,10X40 (Ref # 92151) | 92151-1899 | 1 |
| COLLAR,SWING ARM,L=47 (Ref # 92152) | 92152-0154 | 1 |
| COLLAR,SWING ARM,L=12.5 (Ref # 92152A) | 92152-1234 | 1 |
| BOLT-UPSET-WP,6X12 (Ref # 92154) | 92154-2324 | 1 |
| CLAMP (Ref # 92171) | 92171-0907 | 1 |
| WASHER,10.5X18X2.0 (Ref # 92200) | 92200-0531 | 1 |
| NUT,30MM (Ref # 92210) | 92210-0134 | 1 |
| NUT,FLANGED,20MM (Ref # 92210A) | 92210-0320 | 1 |
| NUT,POP,6MM,L=15 (Ref # 92210B) | 92210-1397 | 1 |